



Portrait[™] Honeycomb Shades

PROGRAM REFERENCE GUIDE

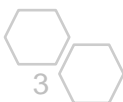


Date	Summary of Revisions
Effective 7/1/2026	<u>General Updates:</u> Added new rail colors----Bianca 3012 & Chocolate 3463 for Vertical system. See Appendix. Pg. 5, 6, 9, 16, 34 : Added new lift systems for Breeze fabric.
Effective 5/11/2026	Added New Light Guard Color---Bianca 3012.
Effective 3/30/2026	<u>General Updates:</u> Added AutoWand™ Honeycomb Shade.
Effective 3/6/2026	<u>General Updates:</u> Discontinued Light Filtering (Soft Stone C7018K) color. See Appendix.
Effective 2/1/2026	<u>General Updates:</u> Discontinued select Room Darkening & Designer Fabric (Rustica) colors. See Appendix.
Effective 1/1/2026	<u>General Updates:</u> Added new Room Darkening & Ashton colors. See Appendix. Added new rail color 3012 Bianca; updated default rail color for select fabrics. See Appendix.
Effective 11/24/2025	Updated the handle quantities provided for all cordless shades
Effective 10/15/2025	Updated the max. shade height for Cordless TDBU
Effective 8/1/2025	<u>General Updates:</u> Discontinued current Light Filtering colors, including Bright White C7001, Marshmallow C7002, Ivory C7003, Mica C7106, etc. See Appendix.
Effective 7/15/2025	Added Cord Loop System Semi-IM Cord Tensioner Holder Update the valance insert image for Vintage L Frame & Hang Strip
Effective 6/18/2025	Added Motorized Skylights
Effective 5/9/2025	<u>General Updates:</u> Added new colors. See Appendix.
Effective 4/30/2025	<u>General Updates:</u> Discontinued Ultra White C7008 , Arctic White C4006 ,Whispers colors and current 9/16"S colors. See Appendix. Bright White C7001, Marshmallow C7002, Ivory C7003, Mica C7106 are currently unavailable. See Appendix for equivalent colors. Added Shim Qty
Effective 3/1/2025	<u>General Updates:</u> Added new colors. See Appendix. -Updated the max. shade width for Cordless TDBU
12/19/2024	-COLOR VARIATION
Effective 10/1/2024	-Updated Light Guard Color Codes.
8/1/2024	-Added fabric deduction note for OB Cord Loop/SmartRelease systems
7/1/2024	-Increased max area to 80 SQFT for Norman Smart 65W AC Adapter Plug-in (Dual Motor)



Table of Contents

	Page
Features & Benefits	4
General Specifications	
Size Considerations (Min/Max)	5 – 6
Standard Deductions	7
Compare Honeycomb Systems & Options (Option Reference Charts)	8 – 9
Mounting Depths	10
Mounting Hardware	11
Operating Systems	
Cordless Systems	12
Cord Loop Systems	13
Lift Systems for Woven Fabrics	14
2 on 1 Shades / Side by Side	15
SmartFit® Systems	16-17
Motorized Skylights	18
SmartFit® with Frame Systems	19 – 20
Frame, T-Post and Sill Plate Options & Measure Guidelines	21 – 34
SmartFit with Frame for Sloped Windows	35
Patio Door Vertical	36 – 38
Specialty Shapes	39
Available Colors	
Headrail Colors	40
Frame Colors	41
Complete Fabric List and Color Coordination Chart	See Appendix
Additional Info, Options & Parts	
Fabric Stacking Heights	42 – 44
Additional Options	45
Cut-out	46
Parts & Accessories	47
Mounting Brackets / Shim Quantity	48 – 49
Fabric Expectations & Product Care	50 – 52



Features & Benefits

Features

Benefits

Sleeker, Stronger Headrail






- Light yet extremely sturdy with color coordination to the fabric
- Sleek and space-saving profile
- Resilient components for worry-free operation

Unique D-Cell Structure

- Creates perfect pleats for long-lasting beauty
- Remarkable strength even in hot, sunny or humid climates

Various Cell Sizes, Light Control Options and Colors

- 3/8" single, 1/2" double, 3/4" single, 3/4" double, 1 1/4" single, and 9/16" single
- Offered in Sheer, Light Filtering and Room Darkening for light and privacy control
- Luxury fabric upgrades available in Designer prints, Woven, and Flame-Resistant fabrics

Sheer	Windsong	Light Filtering / Designer	Solus / Breeze	Room Darkening / Designer
				

Key Features & Flame Resistant

- Cordless lift system comes standard
- “Best for Kids” certified in multiple systems
- Flame resistant fabrics available for added peace of mind

Cordless: Easy to operate and eliminates cords.

Top-Down Bottom-Up: Adjust your lighting preference and control your privacy level by lowering shades from the top to let in natural light, or raising them from the bottom like a traditional shade.

SmartFit®: Tight fit on French doors and sloped windows to minimize light leakage and maximize privacy.

Superior Operating Systems

SmartFit® with Frame: Framed – Tight fit on French doors or any window minimizing light leakage; now available in more frame styles and t-post options

Cord Loop: Features unique clutch system making raising and lowering easier. Available in standard cord loop, Top Down and Day/Night

SmartRelease™: Allows the shade to be released or lowered from an upward position with a gentle pull.

Patio Door Vertical: Perfect solution for sliding doors or large windows

Motorization: New innovative Norman® Smart Motorization



Size Considerations

Operating System		Width (Net)		Height		Max Area
		Min	Max ①	Min	Max	
SmartRise™ Cordless	3/8"S & 9/16"S, 3/8"S FR Essentials		96"	10"	120" ①	Max Width x Max Height
	3/4"S, 3/4" D, 1/2" D, & 1 ¼" S, 3/4"S FR Essentials	11 ½" ①	108"			
	Solus	15 ½" ①				
	FR 3/8"S	25"	96"		120"	
	FR 3/4"S		108"			
Cordless TDBU	3/8"S & 3/8"S FR Essentials	15"	96"	10"	86"	Max Width x Max Height
	9/16"S				96" ⑤	60 SQFT
	3/4"S, 3/4" D, 1/2" D, & 1 ¼" S, 3/4"S FR Essentials	15" ⑤	108"			
	Solus	15 ½" ⑤	108"			
	FR 3/8"S	25"	96"		86"	Max Width x Max Height
	FR 3/4"S	25" ⑤	108"		96" ⑤	60 SQFT
Cordless Day & Night	All Other Fabrics	15"	96"	10"	86"	Max Width x Max Height
	Solus	15 ½"				
	Windsong ③	15"	86"			
Woven Cordless (Windsong, Breeze, Ashton)		15 ½"	86"	10"	86" ②	Max Width x Max Height
Woven Cordless TDBU (Windsong, Breeze, Ashton)		15 ½"	78"	10"	86" ②	Max Width x Max Height
SmartFit®	3/8" Single, Ashton, Breeze	8 ½"	50"	6"	86"	Max Width x Max Height
	All other cells		72"			
SmartFit® with Frame ⑦		See MFF size limitations by frame type (The shade must be within the shade only limitations as shown above)				
SmartFit® Dual Shade	3/8" Single, Ashton, Breeze	8 ½"	50"	12"	86"	Max Width x Max Height
	All other cells		72"			
SmartFit® Dual Shade with Frame ⑦		See MFF size limitations by frame type (The shade must be within the shade only limitations as shown above)				
SmartFit® for Sloped Windows		8 ½"	59"	6"	120"	48 SQFT
SmartFit® for Sloped Windows with Frame ⑦		See MFF size limitations by frame type (The shade must be within the shade only limitations as shown above)				
Cord Loop & SmartRelease™ Cord Loop TD		15 ½"	120" ③	12"	144" ③	80 SQFT
Cord Loop Day & Night		24" ④				
Motorized Bottom Up		For motorization size considerations, please ref. Motorization Guide for detail information.				
Motorized Top Down						
Norman® Smart Motorized: Bottom Up						
Norman® Smart Motorized: TDBU / Day & Night						
Norman® Smart Motorized : Skylights						
AutoWand™ Motorized Bottom Up						
Patio Door Vertical		30" ⑩	146" ⑥	24"	120" ⑥	Max Width x Max Height
Patio Door Vertical Day & Night		30"			120"	

****All size limitations are in NET width****

① **SmartRise™ Cordless:** (all cell sizes) Minimum width is 25" when the height is greater than 86"

② **Woven Cordless:** Maximum height is 62" when the width is 19" or less.

③ **Woven Fabrics & Designer Ashton:** Maximum is 86" W x 86" H.

④ **Cord Loop TD and D&N:** Minimum width is 30" when the height is greater than 72".

⑤ **Cordless TDBU:** Minimum width is 30" when the height is greater than 86".

⑥ **Patio Door Vertical:** Maximum height is 96" for FR fabric (3/4" S); does not apply to FR Essentials.

⑦ All **SmartFit® with Frame** measurements are maximum frame to frame. See dedicated min/max.

⑧ **Side Mount:** For Side Mount installation only, the max width is 37" for all systems.

⑨ **Patio Door Vertical HC:** The headrail will be spliced based on the order width and height:

- OB: when the shade width $\geq 97\ 5/8"$ and the shade width $>$ (order height - $2\ 3/16"$)

- IB: when the shade width $\geq 97\ 5/8"$ and the shade width $>$ (order height - $2\ 5/16"$)

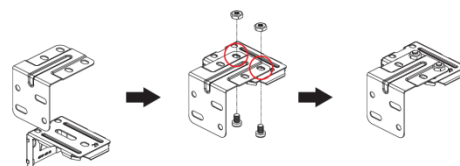
⑩ **Patio Door Vertical HC:** For center opening custom split, the min. shade width is 15" for each side; the max. shade width is 131" for one side and the total max. shade width is 146".

Size Considerations – Side Mount and 2-on-1 Shades

Side Mount Support Brackets (Kit)

- Kit includes a supporting piece provided with the installation bracket.
- Side Mount bracket installation is an option for IM windows only, for widths ≤ 37" (recommended)
- * For widths > 37":
 - The Side Mount Supporting Bracket Kit can be requested for shade widths over 37", but the regular installation brackets are required and must be used in installation in order to support the product. (please do not joint side mount supporting bracket kits with regular brackets to do side mount for net shade width over 37")
 - Selection includes both regular brackets (required) and Side Mount supporting brackets kit
- Available in the following operating system:

Systems	Side Mount Availability
SmartRise™ Cordless	Yes
Cordless TDBU	Yes
Cordless Day & Night	Yes
Cordless (Woven)	Yes
Cordless TDBU (Woven)	Yes
Cord Loop	Yes
Cord Loop TD	Yes
Cord Loop Day & Night	Yes
SmartRelease™	Yes
Motorization	Yes
Patio Door Vertical, Day & Night	Yes
SmartFit®	N/A
SmartFit® Dual Shade	N/A
SmartRise™ for Sloped Windows	N/A
SmartFit® with Frame	N/A
SmartFit® Dual Shade with Frame	N/A
SmartFit® with Frame for Sloped Windows	N/A
Specialty Shapes	N/A
Motorized Skylights	N/A



2-on-1 Shades				
System		Min (whole unit)	Max (whole unit)	Max Area (per shade)
SmartRise™ Cordless (9/16"S, 3/8"S & 3/8"S FR Ess.)	Width	23 ¼" *	120" total width (96" max per shade)	80 SQFT per shade
	Height	10"	120"	
SmartRise™ Cordless (3/4"S, 3/4"S FR Ess, 3/4"D, 1/2"D, & 1 ¼"S)	Width	23 ¼" *	120" total width (108" max per shade)	90 SQFT per shade
	Height	10"	120"	
SmartRise™ Cordless (Solus)	Width	31 ¼" *	120" total width (108" max per shade)	90 SQFT per shade
	Height	10"	120"	
SmartRise™ Cordless (FR LF & RD)	Width	50 ¼" *	120" total width (3/4"S: 108" max per shade) (3/8"S: 96" max per shade)	90 SQFT per shade (3/8"S: 80 SQFT per shade)
	Height	10"	120"	
Cord Loop	Width	31 ¼"	120"	80 SQFT per shade
	Height	12"	144"	

2-on-1 Shades (Woven Fabrics & Designer Ashton)				
System		Min (whole unit)	Max (whole unit)	Max Area (per shade)
Cordless (Ashton, Breeze & Windsong)	Width	31 ¼"	120" total width (86" max on one shade)	51.36 SQFT per shade
	Height	10"	86"	
Cord Loop (Ashton, Breeze & Windsong)	Width	31 ¼"	120" total width (86" max on one shade)	51.36 SQFT per shade
	Height	12"	86"	

- Notes:**
- One 3/8" deduction will be taken for the whole unit (between both shades)
 - Standard ¼" gap spacing between each shade
 - The 2-on-1 Shade limitations are for the entire unit, but each shade must also follow the above size limitations and additional rules for a single shade.
 - *Per unit: SmartRise™ Cordless: Minimum width (for whole 2-on-1 unit) is **50 ¼"** when the height is **greater than 86"**
 - *Per shade: SmartRise™ Cordless: (all cell sizes) Minimum width is **25"** when the height is **greater than 86"**

**See Motorization Specifications for additional 2-on-1 size limitations.

Standard Deductions

Product	Mount Type	Shade Width (X)		Shade Height (Y)		Light Guard Length
		Order Width	Tolerance	Order Height	Tolerance	
Cordless Cordless TDBU Cordless Day & Night Cordless & Cordless TDBU (<i>Woven</i>)	OB	X=Order Width	±1/8"	Y=Order Height	+1/2" ~ +3"	N/A
	IB	X=Order Width - 3/8"		Y=Order Height		Order Height - 1/8"
SmartRelease™ Cord Loop Cord Loop TD Cord Loop Day & Night Motorization	OB	X=Order Width *	±1/8"	Y=Order Height	+3/8" ~ +1 1/4"	N/A
	IB	X=Order Width - 3/8"		Y=Order Height		Order Height - 1/8"
SmartFit® SmartFit® for Sloped Windows	IB	X=Order Width - 1/4" (IB w/o light guard)	±1/8"	Y=Order Height	Cords can be adjusted a bit to better fit your window in height	Order Height
		X=Order Width - 3/8" (IB w/ light guard)				
SmartFit® Dual Shade	IB	X=Order Width - 3/16" (IB w/o light guard) X=Order Width - 3/8" (IB w/ light guard)	±1/8"			
Motorized Skylights	IB	X=Order Width - 1/4"	±1/8"	Y=Order Height	± 1/8"	Order Height - 1 7/16"
Vertical Vertical Day & Night	OB	X=Order Width	± 1/8"	Y=Order Height - 1/2"	± 1/8"	N/A
	IB	X=Order Width - 3/16"		Y=Order Height - 5/8"		N/A

Measurement:

- Width: Measure shade from left end cap to right end cap.
- Height: When the shade is fully extended, measure from the top of the headrail to the bottom of bottom rail
- For Vertical applications:
 - Width: Measure from the left end cap to the right end cap along the headrail
 - Height: Measure from the top of headrail to the bottom of vertical rail end cap
- For Center Opening:
 - Left Shade Width: Measure from the left headrail end cap to the middle vertical rails joint
 - Right Shade Width: Measure from the middle vertical rails joint to the right headrail end cap
- For Motorized Skylights:
 - Width: Measure from the left end cap to the right end cap along the Fixed Rail with Motor
 - Height: Measure from the top of Fixed Rail with Motor to the bottom of Fixed Rail



Other Products:

- SmartFit® with Frame systems** (Max Frame to Frame Size)
Width: measure from outside left frame to outside right frame.
Height: measure from top of frame to bottom of frame.
- Vertical & Vertical Day & Night:**
OB Recommendation: add 4" to opening width and 2" to opening height
- Specialty Shapes:**
3/16" deduction on each side.
Tolerance: Shade width and height may vary -1/8" ~1/8".
- * Cord Loop / Smart Release (OB) deduction:**
Fabric Width = Order Width - 7/16"



Due to the new Tension Device, the cord is positioned alongside the headrail. For all OB Cord Loop and SmartRelease systems, there will be a fabric deduction to prevent the cord from rubbing against the fabric.



Option Reference Charts

Operating Systems	Cell Sizes					
	3/8" Single	9/16" Single	1/2" Double	3/4" Single	3/4" Double	1 1/4" Single
SmartRise™ Cordless Cordless TDBU Cordless Day & Night	Yes	Yes	Yes	Yes	Yes	Yes
Cordless (Woven) Cordless TDBU (Woven)	N/A	N/A	N/A	Yes	N/A	Yes
SmartFit® SmartFit® Dual Shade	Yes	Yes	Yes	Yes	IB: Yes OB: N/A	IB: Yes OB: N/A
SmartFit® for Sloped Windows	Yes	N/A	N/A	N/A	N/A	N/A
SmartFit® with Frame SmartFit® Dual Shade with Frame	Yes	N/A	N/A	N/A	N/A	N/A
SmartFit® with Frame for Sloped Windows	Yes	N/A	N/A	N/A	N/A	N/A
Cord Loop SmartRelease™ Cord Loop TD Cord Loop Day & Night	Yes	Yes	Yes	Yes	Yes	Yes
Motorized	Yes	Yes	Yes	Yes	Yes	Yes
Motorized Skylights	N/A	N/A	Yes	Yes	N/A	N/A
Specialty Shapes	Yes	Yes	Yes	Yes	N/A	N/A
Patio Door: Vertical Day & Night	N/A	N/A	N/A	Yes	N/A	Yes

*OB SmartFit / OB SmartFit Dual Shade is not available in large cells (3/4 "Double & 1 1/4" Single)

Fabric Type	Cell Sizes					
	3/8" Single	9/16" Single	1/2" Double	3/4" Single	3/4" Double	1 1/4" Single
Sheer *	Yes	N/A *	N/A	Yes	N/A	Yes
Light Filtering	Yes	Yes	Yes	Yes	Yes	Yes
Room Darkening	Yes	Yes	Yes	Yes	Yes	Yes
Designer Fabric (LF) **	Yes	N/A	N/A	Yes	N/A	Yes
Designer Fabric (RD)	N/A	N/A	N/A	Yes	N/A	Yes
Designer Fabric: Ashton (LF & RD) ^{NEW}	N/A	N/A	N/A	Yes	N/A	Yes
Flame Resistant – LF & RD	Yes	N/A	N/A	Yes	N/A	N/A
FR Essentials (Flame Resistant)	Yes	N/A	N/A	Yes	N/A	N/A
Solus	N/A	N/A	N/A	Yes	N/A	Yes
Woven: Breeze & Windsong	N/A	N/A	N/A	Yes	N/A	Yes

* 9/16" Single Sheer fabrics are not available as a single shade, only as a Day & Night application.

** The Silverbrook Collection in Designer LF is not available in 3/8" Single.

Day & Night Fabric Combinations					
Top Shade	Sheer *	Windsong *	Light Filtering/ LF Designer	Sheer, Windsong, LF, RD, Designer	Light Filtering/ LF Designer * (3/4"S & 1 1/4" S)
Bottom Shade	LF, RD, Designer, Solus	LF, RD, Designer, Solus	Light Filtering/ LF Designer	Solus *	Room Darkening/ RD Designer * (3/4"S & 1 1/4" S)

Day & Night Fabric Combinations

*Most fabric combinations are available except for the following:

- Room Darkening + Room Darkening
- Sheer + Sheer
- Windsong + Windsong
- Sheer + Windsong

*Some fabrics are limited to a top shade or a bottom shade only:

- Sheer and Windsong are only available as a top shade for all Day & Night systems.
- LF + RD combination (including Designer) is only available in 3/4" or 1 1/4" Single Cell, and the RD shade must be a bottom shade.
- Solus is only available as a bottom shade for all Day & Night systems.

*All top and bottom shades must be ordered in the same cell size.

*Fabric Exclusions: Woven Breeze, Ashton, Flame Resistant (LF & RD), and FR Essentials fabrics are not available in any Day & Night systems.

*Sheer fabrics are not available in Double Cell sizes. When one double cell size is selected on the non-sheer shade, the nearest single cell size will be paired on the sheer shade:

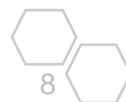
- 1/2" Double non-sheer fabric pairs with a 3/4" Single Sheer fabric
- 3/4" Double non-sheer fabric pairs with a 1 1/4" Single Sheer fabric.

The rules and table above only apply to Day & Night shades in Cordless, Cord Loop, and Motorized applications.

See [SmartFit Dual fabric combinations here for more extensive fabric options.](#)

Day & Night Fabric Combinations: Vertical Patio Door	
Left or Right Shade	
Sheer	Light Filtering, Room Darkening, Designer
Light Filtering, LF Designer	Light Filtering, LF Designer
Light Filtering, LF Designer	Room Darkening, RD Designer

- For Vertical Day & Night: Either fabric combinations can be specified on the left or right shade.
- Left and right shades must be ordered in the same cell size.
- Fabric Exclusions: Woven Breeze and Windsong, Ashton, Solus, Flame Resistant (LF & RD), and FR Essentials fabrics are not available for Patio Door Vertical Day & Night.



Option Reference Charts

Fabric type/cell size availability by operating system.

Light Filtering & Room Darkening Fabrics

System	Light Filtering & Room Darkening				Sheer		
	(9/16" S)	(3/8" S)	(3/4" S & 1 1/4" S)	(1/2"D & 3/4"D)	(3/8" S)	(9/16" S) As D&N Shade Only	(3/4" S & 1 1/4" S)
SmartRise™ Cordless	Yes	Yes	Yes	Yes	Yes	N/A	Yes
Cordless TDBU	Yes	Yes	Yes	Yes	Yes	N/A	Yes
Cordless Day & Night	Yes	Yes	Yes	Yes	Yes	Yes	Yes
SmartRelease™	Yes	Yes	Yes	Yes	Yes	N/A	Yes
Cord Loop	Yes	Yes	Yes	Yes	Yes	N/A	Yes
Cord Loop TD	Yes	Yes	Yes	Yes	Yes	N/A	Yes
Cord Loop Day & Night	Yes	Yes	Yes	Yes	Yes	Yes	Yes
SmartFit®	Yes	Yes	Yes	Yes	Yes	N/A	Yes
SmartFit® Dual Shade	Yes	Yes	Yes	Yes	Yes	Yes	Yes
SmartFit® for Sloped Windows	N/A	Yes	N/A	N/A	Yes	N/A	N/A
SmartFit® with Frame	N/A	Yes	N/A	N/A	Yes	N/A	N/A
SmartFit® Dual Shade with Frame	N/A	Yes	N/A	N/A	Yes	N/A	N/A
SmartFit® for Sloped Windows with Frame	N/A	Yes	N/A	N/A	Yes	N/A	N/A
Motorized Bottom Up	Yes	Yes	Yes	Yes	Yes	N/A	Yes
Motorized Top Down	Yes	Yes	Yes	Yes	Yes	N/A	Yes
Norman® Smart Motorized Bottom Up	Yes	Yes	Yes	Yes	Yes	N/A	Yes
Norman® Smart Motorized TDBU	Yes	Yes	Yes	Yes	Yes	N/A	Yes
Norman® Smart Motorized Day & Night	Yes	Yes	Yes	Yes	Yes	Yes	Yes
Norman® Smart Motorized Skylights	N/A	N/A	Yes ²	Yes ²	N/A	N/A	N/A
AutoWand™ Motorized Bottom Up	Yes	Yes	Yes	Yes	Yes	N/A	Yes
Patio Door Vertical	N/A	N/A	Yes	N/A	N/A	N/A	Yes
Patio Door Vertical Day & Night	N/A	N/A	Yes	N/A	N/A	N/A	Yes
Specialty Shapes	Yes	Yes	Yes ¹	Yes ¹	Yes	N/A	Yes ¹

¹Specialty Shapes are not available in 3/4"D or 1 1/4"S cell sizes

²Norman® Smart Motorized Skylights is **NOT** available in 3/4"D or 1 1/4"S cell sizes.

Woven & Designer Fabrics

System	Windsong	Breeze	Solus	Designer Ashton	Designer Light Filtering		Designer Room Darkening	Flame Resistant LF & RD		FR Essentials		
	(3/4" S & 1 1/4" S)	(3/4" S & 1 1/4" S)	(3/4" S & 1 1/4" S)	(3/4" S & 1 1/4" S)	(3/8" S)	(3/4" S & 1 1/4" S)	(3/4" S & 1 1/4" S)	(3/8" S)	(3/4" S)	(3/8" S)	(3/4" S)	
SmartRise™ Cordless	N/A	N/A	Yes	N/A	Yes	Yes	Yes	Yes	Yes	Yes	Yes	Yes
Cordless TDBU	N/A	N/A	Yes	N/A	Yes	Yes	Yes	Yes	Yes	Yes	Yes	Yes
Cordless Day & Night	Yes	N/A	Yes	N/A	Yes	Yes	Yes	N/A	N/A	N/A	N/A	N/A
Woven Cordless	Yes	Yes	N/A	Yes	N/A	N/A	N/A	N/A	N/A	N/A	N/A	N/A
Woven Cordless TDBU	Yes	Yes	N/A	Yes	N/A	N/A	N/A	N/A	N/A	N/A	N/A	N/A
SmartRelease™	Yes	Yes	Yes	Yes	Yes	Yes	Yes	Yes	Yes	Yes	Yes	Yes
Cord Loop	Yes	Yes	Yes	Yes	Yes	Yes	Yes	Yes	Yes	Yes	Yes	Yes
Cord Loop TD	Yes	Yes	Yes	Yes	Yes	Yes	Yes	Yes	Yes	Yes	Yes	Yes
Cord Loop Day & Night	Yes	N/A	Yes	N/A	Yes	Yes	Yes	N/A	N/A	N/A	N/A	N/A
SmartFit®	Yes	Yes	Yes	Yes	Yes	Yes	Yes	Yes	Yes	Yes	Yes	Yes
SmartFit® Dual Shade	Yes	Yes	Yes	Yes	Yes	Yes	Yes	N/A	N/A	N/A	N/A	N/A
SmartFit® for Sloped Windows	N/A	N/A	N/A	N/A	Yes	N/A	N/A	Yes	N/A	Yes	N/A	N/A
SmartFit® with Frame	N/A	N/A	N/A	N/A	Yes	N/A	N/A	Yes	N/A	Yes	N/A	N/A
SmartFit® Dual Shade with Frame	N/A	N/A	N/A	N/A	Yes	N/A	N/A	N/A	N/A	N/A	N/A	N/A
SmartFit® for Sloped Windows with Frame	N/A	N/A	N/A	N/A	Yes	N/A	N/A	Yes	N/A	Yes	N/A	N/A
Motorized Bottom Up	Yes	Yes	Yes	Yes	Yes	Yes	Yes	Yes	Yes	Yes	Yes	Yes
Motorized Top Down	Yes	N/A	Yes	N/A	Yes	Yes	Yes	Yes	Yes	Yes	Yes	Yes
Norman® Smart Motorized Bottom Up	Yes	Yes	Yes	Yes	Yes	Yes	Yes	Yes	Yes	Yes	Yes	Yes
Norman® Smart Motorized TDBU	Yes	Yes	Yes	Yes	Yes	Yes	Yes	Yes	Yes	Yes	Yes	Yes
Norman® Smart Motorized Day & Night	Yes	N/A	Yes	N/A	Yes	Yes	Yes	N/A	N/A	N/A	N/A	N/A
Norman® Smart Motorized Skylights	N/A	N/A	Yes ²	N/A	N/A	Yes ²	Yes ²	N/A	N/A	N/A	N/A	Yes
AutoWand™ Motorized Bottom Up	Yes	N/A	Yes	Yes	Yes	Yes	Yes	Yes	Yes	Yes	Yes	Yes
Patio Door Vertical	N/A	N/A	N/A	N/A	N/A	Yes	Yes	Yes	N/A	Yes	N/A	Yes
Patio Door Vertical Day & Night	N/A	N/A	N/A	N/A	N/A	Yes	Yes	N/A	N/A	N/A	N/A	N/A
Specialty Shapes*	Yes ¹	N/A	Yes ¹	N/A	Yes	Yes ¹	Yes ¹	N/A	N/A	Yes	Yes	Yes

¹Specialty Shapes are not available in 3/4"D or 1 1/4"S cell sizes

²Norman® Smart Motorized Skylights is **NOT** available in 3/4"D or 1 1/4"S cell sizes.



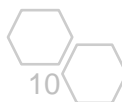
Portrait™ Honeycomb Shades

Mounting Depths

	Flush IB				Semi-IB			
	3/8" Single	9/16" Single	3/4" Single & 1/2" Double	3/4" Double & 1 1/4" Single	3/8" Single	9/16" Single	3/4" Single & 1/2" Double	3/4" Double & 1 1/4" Single
SmartRise™ Cordless	1 3/4"	1 3/4"	1 15/16"	2 11/16"	1 1/4"	1 1/4"	1 1/4"	1 7/16"
SmartRise™ Cordless (with light guard)	1 13/16"	1 13/16"	1 15/16"	2 3/4"	N/A	N/A	N/A	N/A
Cordless TDBU, Cordless Day & Night	1 15/16"	1 15/16"	1 15/16"	2 11/16"	1 1/4"	1 1/4"	1 1/4"	1 7/16"
Cordless TDBU, Cordless Day & Night (with light guard)	1 15/16"	1 15/16"	1 15/16"	2 3/4"	N/A	N/A	N/A	N/A
Cord Loop, Cord Loop TD, Cord Loop Day & Night, SmartRelease™	2 5/16"	2 5/16"	2 5/16"	2 11/16"	1 1/4"	1 1/4"	1 1/4"	1 7/16"
Cord Loop, SmartRelease™ (with light guard)	2 5/16"	2 5/16"	2 5/16"	2 3/4"	N/A	N/A	N/A	N/A
Cord Loop TD, Cord Loop Day & Night (with light guard)	2 5/16"	2 5/16"	2 5/16"	2 3/4"	N/A	N/A	N/A	N/A
Cord Loop, Cord Loop TD, Cord Loop Day & Night, SmartRelease™(with Semi-IM Cord Tensioner Holder)	2 13/16"	2 13/16"	2 13/16"	3 3/16"	N/A	N/A	N/A	N/A
Cord Loop, SmartRelease™ (with light guard & Semi-IM Cord Tensioner Holder)	2 3/4"	2 3/4"	2 3/4"	3 1/4"	N/A	N/A	N/A	N/A
Cord Loop TD, Cord Loop Day & Night (with light guard & Semi-IM Cord Tensioner Holder)	2 13/16"	2 13/16"	2 13/16"	3 1/4"	N/A	N/A	N/A	N/A
Woven Cordless, Woven Cordless TDBU	N/A	N/A	2 1/8" for 3/4" Single	2 11/16" for 1 1/4" Single	N/A	N/A	1 5/16" for 3/4" Single	1 1/2" for 1 1/4" Single
SmartFit®, SmartFit® Dual Shade (with mounting plate)	1 1/4"	1 7/8"	1 7/8"	2 5/8"	N/A	N/A	N/A	N/A
SmartFit®, SmartFit® Dual Shade (with light guard)	1 5/16"	1 7/8"	1 7/8"	2 11/16"	N/A	N/A	N/A	N/A
SmartFit® for sloped windows	1 3/8"	N/A	N/A	N/A	N/A	N/A	N/A	N/A
SmartFit® for sloped windows (with light guard)	1 7/16"	N/A	N/A	N/A	N/A	N/A	N/A	N/A
Specialty Shapes	1 3/4"	2 1/8"	2 5/8"	N/A	N/A	N/A	N/A	N/A
Vertical, Vertical Day & Night (with Installation bracket)	N/A	N/A	3 1/16" for 3/4" Single	3 1/16" for 1 1/4" Single	N/A	N/A	1 1/4" for 3/4" Single	1 1/4" for 1 1/4" Single
Vertical, Vertical Day & Night (Without Installation Bracket)	N/A	N/A	3 1/16" for 3/4" Single	3 1/16" for 1 1/4" Single	N/A	N/A	1 9/16" for 3/4" Single	1 9/16" for 3/4" Single

**See Motorization Specifications for motorized mounting depths.

*The min mounting depth may vary slightly for the systems marked "new", depending on the installation bracket provided. (See Mounting Hardware for new brackets.) The switch from the current bracket to the new one is a running change. **For the same order, only the same style of brackets will be used.**



Portrait™ Honeycomb Shades

Mounting Hardware

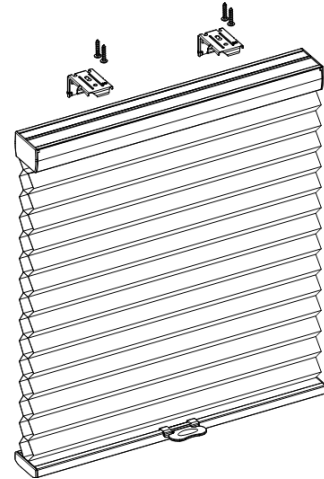
Lift System	Cell Sizes	Bracket	Lift System	Cell Sizes	Bracket
SmartRise Cordless	9/16" S 3/8" S		SmartFit, SmartFit Dual Shade (1. OB for 3/8"S, 9/16"S, 1/2"D & 3/4"S. 2. IB side mount with marble sill for all cell sizes.)	3/8" S 9/16" S 3/4" S 1/2" D 3/4" D 1 1/4" S	
SmartRise Cordless	3/4" S 1/2" D		Cordless & Cordless TDBU for Woven Fabrics, Motorized Skylights (for Fixed Rail)	3/4" S	
Cordless TDBU, Cordless Day & Night	3/8" S 9/16" S 3/4" S 1/2" D		Cordless & Cordless TDBU for Woven Fabrics	1 1/4" S	
SmartRise Cordless, Cordless TDBU, Cordless Day & Night, SmartRelease, Cord Loop, Cord Loop TD, Cord Loop Day & Night, Motorization	3/4" D 1 1/4" S		Specialty Shapes	3/8" S	
Vertical Patio Door, Vertical Day & Night (Installation Bracket is Optional for IB)	3/4" S 1 1/4" S			9/16" S	
SmartRelease, Cord Loop, Cord Loop TD, Cord Loop Day & Night, Motorization, Motorized Skylights (Fixed Rail with Motor)	3/8" S 9/16" S 3/4" S 1/2" D			1/2" D 3/4" S	
SmartFit For Sloped Windows (Top Headrail)	3/8" S		SmartFit for Sloped Windows (Bottom Rail)	3/8"	

Lift Systems - Cordless

SmartRise™ Cordless (Bottom Up)



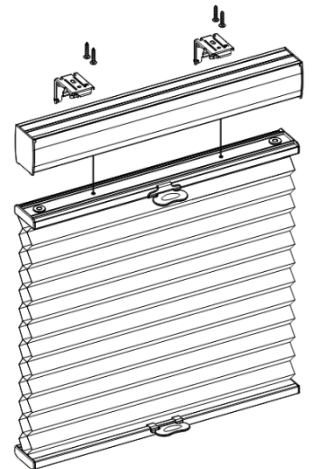
- SmartRise™ Cordless system for precise, smooth and reliable operation . Simply lower and stop at any position to lock your shade in place.
- The perfect solution for homes with children and pets.
- Easy to operate, and eliminates cords for a streamlined appearance.



Cordless TDBU (Top Down/Bottom Up)



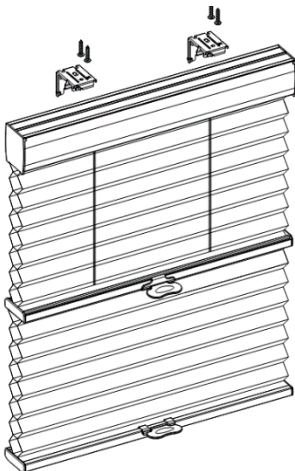
- Adjusts from the top or from the bottom securely.
- No dangling cords.
- Control light and privacy with ease.



Cordless Day & Night



- Control the amount of light or privacy level by switching between two different fabrics.
- Available in all cell sizes



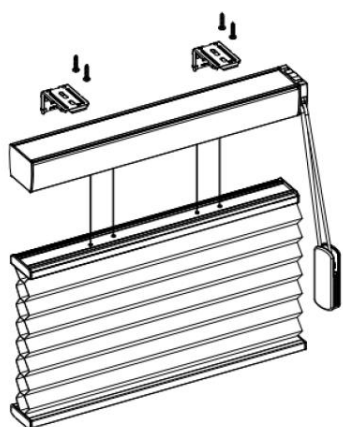
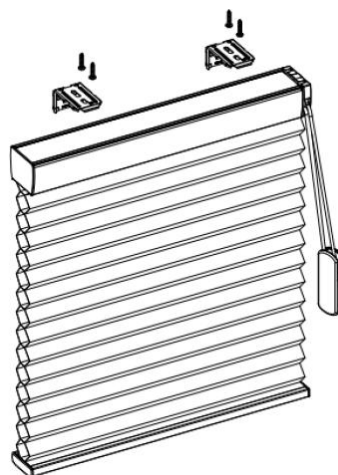
	Order Width	Handle QTY
Cordless	X < 52"	1
	X ≥ 52"	2
Cordless TDBU / Cordless D&N	X < 52"	2
	X ≥ 52"	4

Lift Systems – Cord Loop & SmartRelease

Cord Loop/SmartRelease™

- This option features a clutch that makes raising and lowering extremely wide shade easier.
- The circular cord will remain at the same length no matter which position the shade is raised. The shade can be easily adjusted to any height and will hold its position automatically.
- Covers extra wide windows.

SmartRelease™: This **exclusive** and **patent-pending** innovation to cord loop systems allows the shade to be released or lowered from an upward position with a gentle pull.

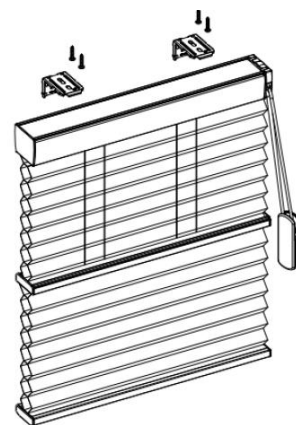


Cord Loop TD (Top Down)

- Convenient light and privacy control by raising and lowering the mid rail.
- Easy to operate cord loop system.
- Covers extra wide windows.

Cord Loop Day & Night

- Control the amount of light or privacy level by switching between two different fabrics.
- Available in all cell sizes



Cord Loop Length (Y2)

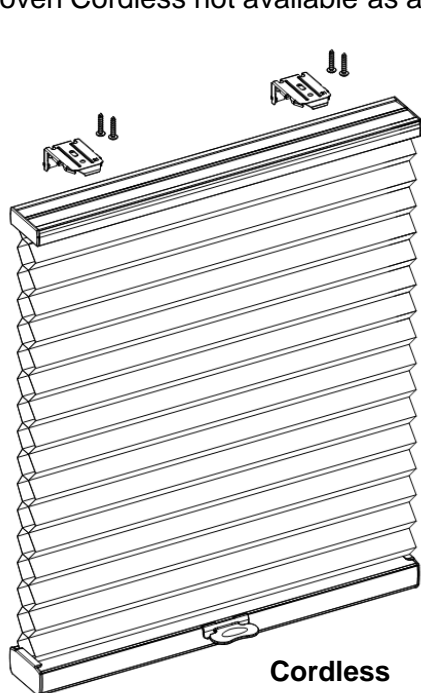
Shade Height (Y)	Default Cord Length
$Y \leq 30"$	9"
$30" < Y \leq 42"$	24"
$42" < Y \leq 55"$	36"
$55" < Y \leq 69"$	48"
$69" < Y \leq 95"$	60"
$Y > 95"$	84"
Shade Height (Y)	Custom Cord Length
All Shade Heights	Min length: 9"
	The max custom cord loop length should be <u>no more than (order length - 2")/1.1</u>

System	Control Location		
	Shade Type	Default	Optional
Cord Loop, SmartRelease™	Single Shade	Right	Left
	2-on-1 (*not available for SmartRelease™)	Left shade: left Right shade: Right	N/A
Cord Loop TD, Cord Loop Day & Night	Single Shade	Right	Left

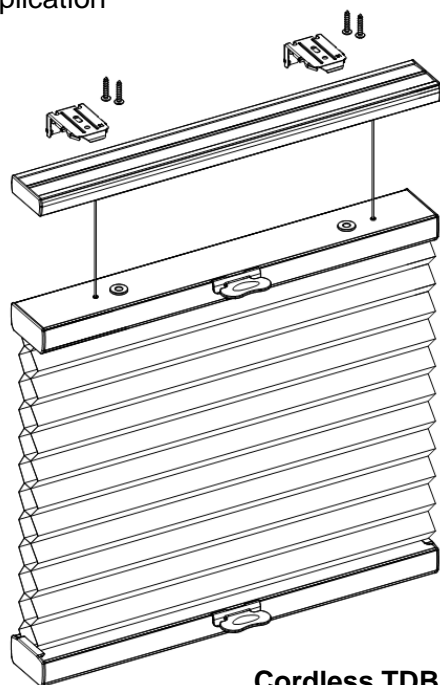
Lift Systems – Cordless / Cordless TDBU for Woven Fabrics

High-design textures and materials specially curated for a new generation of quality, style and luxury.

- Woven fabric collections: **Windsong & Breeze**
- 3/4" Single & 1 1/4" Single cell only
- Available in Woven Cordless & Woven Cordless TDBU systems
 - Dedicated cordless operating systems for woven fabrics and **Designer Ashton** fabrics.
 - Select woven fabrics also available in other lift systems. [See fabric availability chart.](#)
- Available as a single shade or 2-on-1 headrail
- Woven Cordless not available as a Day & Night application



Cordless



Cordless TDBU

Woven Cordless Operating System

•Shades ordered with our new woven honeycomb fabrics will come in the unique system where the operating mechanism is housed in the bottom rail and not the headrail.

•Matching Woven fabrics with other Honeycomb Fabrics:

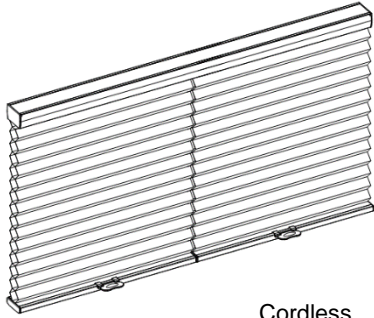
Since Cordless for Woven and SmartRise™ Cordless have notably different rail sizes, the two shades types will look visibly different from each other when placed next to each other. Keep this in mind when ordering woven fabrics with other shades in the same room, or in the same home.

	Order Width	Handle QTY
Woven Cordless	X < 52"	1
	X ≥ 52"	2
Woven Cordless TDBU	X < 52"	2
	X ≥ 52"	4

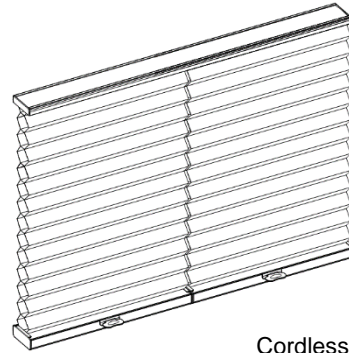
Lift Systems - 2-on-1 Shades / Side by Side Options

2 on 1 Shades

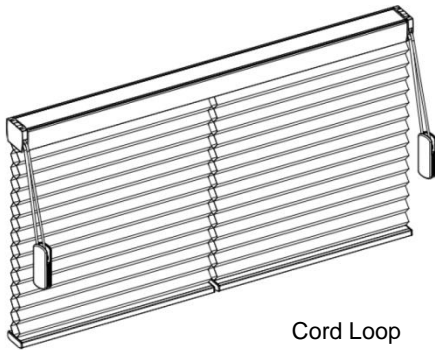
- Two independent working shades, on one headrail for a more uniform and consistent look.
- The control locations will be on the left of the left shade, and right of the right shade- as depicted below. To ensure the long term performance of the shade, the control location cannot be changed for 2-on-1 shades.
- Available in the following lift systems only:



Cordless



Cordless (Woven)



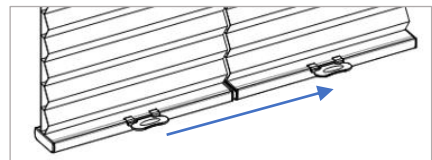
Cord Loop

	Order Width	Handle QTY per shade
Cordless / Woven Cordless	X < 52"	1
	X ≥ 52"	2

Side by Side

- When Side by Side is selected, magnets will be added to ensure rail alignment. Availability is based on criteria below. Cell alignment or exact shade height at a fully lowered position is not guaranteed.
- **Side by Side Shades must be ordered at the same time and must be identical in the following.**

- Mount type
- Lift system
- Fabric color
- Shade height
- Cell size



- *There are no exceptions to the above Side by Side criteria. Out-of-spec requests will be disregarded.
- Available for all lift systems except for: Motorized applications, SmartFit with Frame applications and SmartFit for Sloped Windows applications.
- Handle QTY is for Side by Side cordless shades

	Order Width	Handle QTY per shade
Cordless / Woven Cordless	X < 52"	1
	X ≥ 52"	2

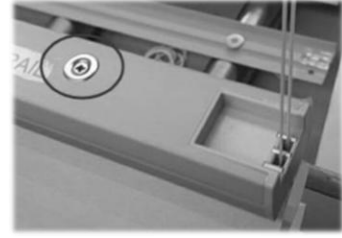
Portrait™ Honeycomb Shades

Lift Systems – SmartFit, SmartFit Dual Shade

SmartFit®



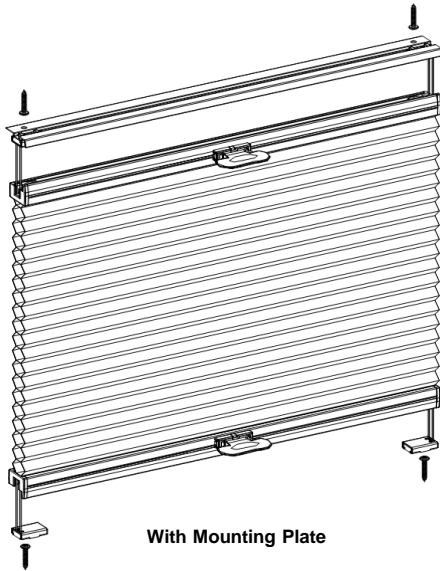
- Adjust your privacy level by lowering the shade from the top to let in natural light or raising the shade from the bottom like a traditional cordless shade.
- No dangling pull cords.
- Exclusive concealed cord equalizer housing for a clean look
- Works like cordless TDBU without the cords in the center; inside or outside mount
- Available in all cell sizes
- Suitable for windows up to 0~15°
- For 3/4" Single & 1/2" Double only: When multiple SmartFit shades for the same window opening are ordered (or specified as **Side by Side**), magnets will be moved towards the center- not on the ends of the rails. This is to prevent shades from attracting each other.



Mounting Plate

3/8" S, 3/4" S, 9/16" & 1/2" D
 Default: With mounting plate
 Optional: Without mounting plate

3/4" D, 1 1/4" S
 Mounting plate comes standard
 (required)



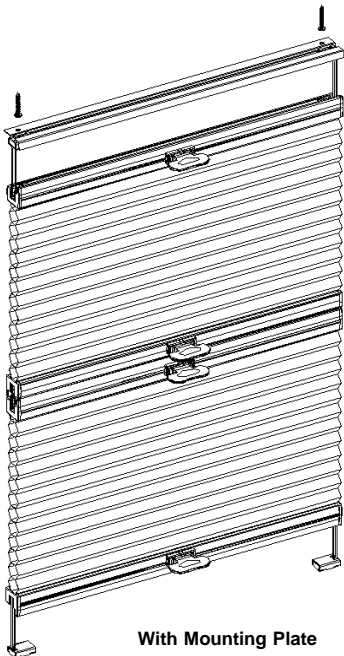
With Mounting Plate

Cell Sizes	Shade Width (X)	Inner Cord* Qty#
3/8" S	X ≤ 50"	2
3/4" S, 1/2" D, 9/16" S	X < 47"	2
	X ≥ 47"	4
3/4" D, 1 1/4" S	All Width	4

*The inner cords within the shade may be visible in some sheer fabrics.

	Order Width	Handle QTY
SmartFit	X ≤ 50"	2
	X > 50"	4
SmartFit Dual Shade	X ≤ 50"	4
	X > 50"	8

SmartFit® Dual Shade



With Mounting Plate

- Two individual SmartFit shades that operate independently, allowing for more fabric combinations
- Suitable for windows up to 15° in slope

Fabric combinations

- All available* fabric types can be combined as top or bottom shades; no fabric type defaults.
 - Sheer + RD, LF, Windsong, Designer, Designer Ashton, Breeze
 - Or combine same fabric types (LF + LF, etc.)

*Flame Resistant (LF & RD) and FR Essentials fabrics are not available for SmartFit® Dual.

Cell Sizes

- Available in same cell size combinations only.

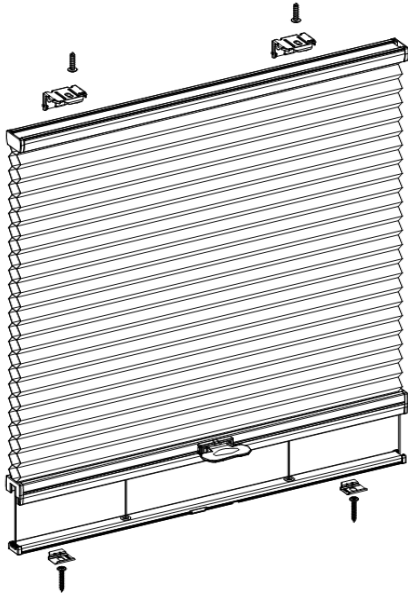
*Not available in (OB) large cell sizes: 3/4" D & 1 1/4" S



Lift Systems – SmartFit for Sloped Windows

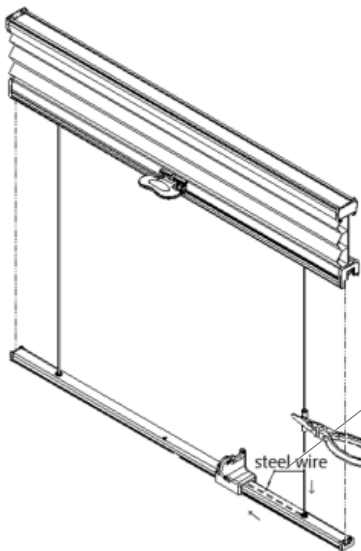
SmartFit® for Sloped Windows

- Available in 3/8" single cell only
- Operates as bottom up
- Suitable for windows up to 45°-90°



	Order Width	Handle QTY
SmartFit for Sloped Windows	$X \leq 50"$	1
	$X > 50"$	2

Shade Width (X)	Metal Wire Qty
$8.5" \leq X \leq 31.5"$	2
$31.5" < X \leq 45.25"$	3
$45.25" < X \leq 59"$	4



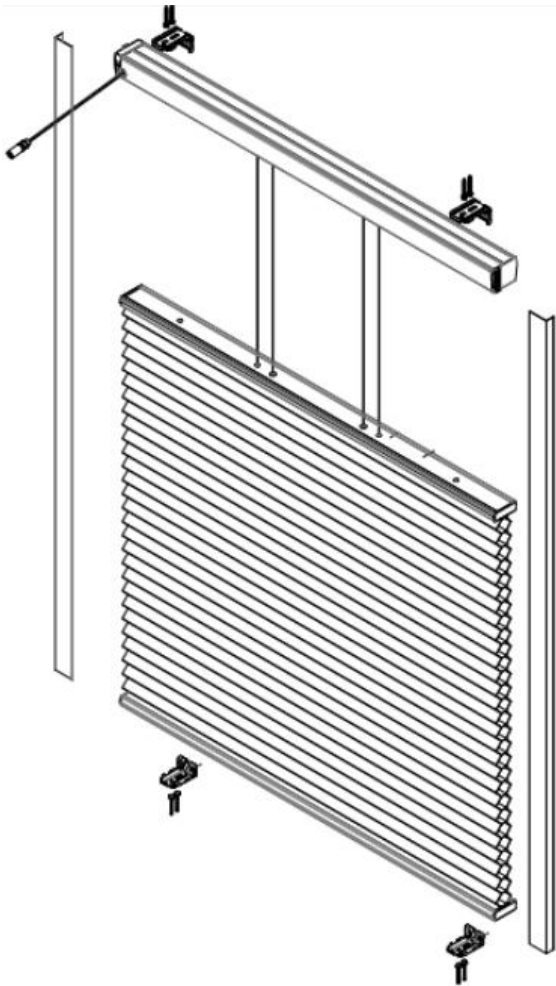
Regulator

To tighten the steel wires, we recommend using a pair of pliers to pull the steel wire towards the bottom rail and then adjust the regulator pin to draw the steel wire. Be sure to place a cloth or a barrier between the pliers and steel wire to avoid breaking the wire.

Lift Systems – Motorized Skylights

Motorized Skylights

- Complete solution for skylight window applications
- Designed to stay securely in place on angled or overhead windows
- Convenient motorized option allows for operation in high or hard-to-reach places
- Operates as top down
- With a stationary bottom rail, the shade lowers neatly from the top, maintaining a clean look and a minimal fabric stack when open.
- Two light guard pieces are included as part of this system to minimize light gaps
- Available in Norman® Smart Motorization with 36W AC Adapter Plug-In and DC Low Voltage Hardwire power sources.
- Available in 3/4" Single and 1/2" Double cell only



Motorized Skylights	
Skylight Rail Colors	Light Guard Color (Standard)
3058 White	3058 White
3094 Cottage White	3094 Cottage White
3129 Silver	3129 Silver
3212 Black Ink	3212 Black Ink

1. Default rail colors are assigned by the fabric color selected.
2. Rail color override is available to select from above rail color chart.
3. Light Guard colors will be the same as rail color.



3058 White



3094 Cottage White



3129 Silver

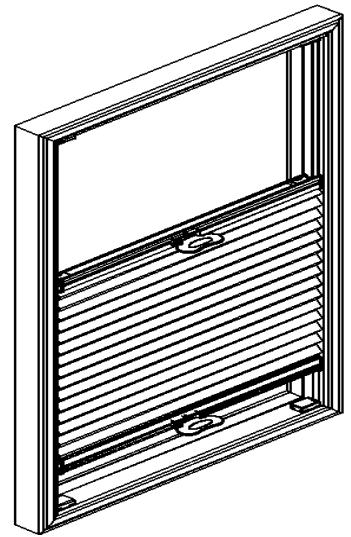


3212 Black Ink

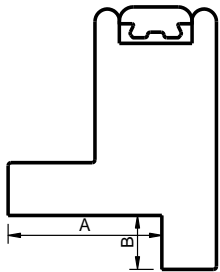
Lift Systems - SmartFit with Frame

SmartFit® with Frame

- Perfect solution for French doors or any window
- Adjusts from the top or from the bottom securely with no dangling cords
- Can be mounted as inside or outside mount
- Available in 3/8" Single cell only
- Available frame styles:
 - Vintage L Frame (1/4" Light Block)
 - Vintage L Frame (3/4" Light Block)
*Only available with notch out option
 - Vintage Hang Strip with Insert (No Light Block)
 - Beaded L frame
 - 1 1/4" Beaded Z Frame
 - 1 1/2" Bullnose Z Frame
 - 2" Belair Z frame
 - 2" Bullnose Z Frame
 - 3" Crown Z Frame
 - 2" Camber Deco Frame
 - 2" Classic Deco Frame
 - 3" Ridge Deco Frame
- Frames are available as 4-sided frames or 3-sided frames with a sill plate at the bottom
 - Sill plates are optional for Z and Deco frames only.
- T Posts are optional for all frame types
- Notch out for Vintage L Frame with 3/4" Light Block:



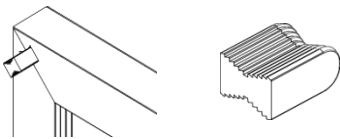
SmartFit® with Frame
with Vintage L frame



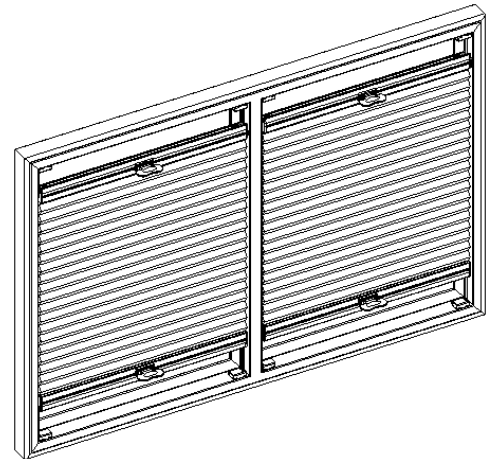
Notch-out size limitation:
 $A \leq 1 \frac{1}{8}"$
 $B \leq \frac{1}{2}"$

Notch-out is allowed on the light block area.

- Featuring a 4-dovetail key solution for an easy installation



Dovetail key displayed with L frame



SmartFit® with Frame with
Vintage L frame and T post

	Order Width	Handle QTY
SmartFit with Frame (per shade)	$X \leq 50"$	2

Lift Systems - SmartFit with Frame

SmartFit® with Frame

- Only max frame to frame measurements will be accepted
 - Width: measure from the left edge of the left frame to the far right edge of the right frame
 - Height: measure from the top edge of the top frame to the bottom edge of the bottom frame



	Frame to Frame Width				Frame to Frame Height
	NO T-post 1 Shade	1 T-post 2 Shades	2 T-posts 3 Shades	3 T-posts 4 Shades	
Vintage L & Beaded L Frame / Hang Strip					
Min	10 ½"	20"	29 ½"	39"	8"(SmartFit) / 14"(SmartFit Dual)
Max	51 ¾"	102 ¾"	153 ¾"	204 ¾"	87 ¾"
1 ¼" Beaded Z Frame					
Min	11 ¼"	20 ¾"	30 1/4"	39 ¾"	8 ¾" (SmartFit) / 14 ¾" (SmartFit Dual)
Max	52 1/2"	103 1/2"	154 1/2"	205 ½"	88 1/2"
1 ½" Bullnose Z Frame					
Min	11 ¾"	21 1/4"	30 ¾"	40 ¼"	9 1/4" (SmartFit) / 15 1/4" (SmartFit Dual)
Max	53"	104"	155"	206"	89"
2" Camber & Classic Deco Frame / 2" Belair & Bullnose Z Frame					
Min	12 ¾"	22 1/4"	31 ¾"	41 ¼"	10 1/4" (SmartFit) / 16 1/4" (SmartFit Dual)
Max	54"	105"	156"	207"	90"
3" Ridge Deco Frame / 3" Crown Z Frame					
Min	14 ¾"	24 1/4"	33 ¾"	43 ¼"	12 1/4" (SmartFit) / 18 1/4" (SmartFit Dual)
Max	56"	107"	158"	209"	92"

- Each shade between t-posts is limited to a single SmartFit® shade

	Width (Net)		Height		Max Area
	Min	Max	Min	Max	
SmartFit® (3/8" S)	8 ½"	50"	6"	86"	30 SQFT

Conversion Chart

Frame	Frame thickness *	Standard IM Deduction	Conversion Window Size to Max Frame to Frame	
			Inside Mount (IM)	Outside Mount (OM)**
Vintage L Frame (1/4" Light Block)	7/8" (x2)	zero	MFF = Window Size - customer determined deduction	MFF = Window Size + 1 3/4"
Vintage L Frame (3/4" Light Block)	7/8" (x2)	zero		
Vintage Hang Strip with Insert (No Light Block)	7/8" (x2)	zero		
Beaded L frame	7/8" (x2)	zero	MFF = Window Size - 1/8" + 6/8" (5/8")	N/A
1 1/4" Beaded Z Frame	3/8" (x2)	1/8"	MFF = Window Size - 1/8" + 1 1/4" (1 1/8")	
1 1/2" Bullnose Z Frame	5/8" (x2)	1/8"	MFF = Window Size - 1/8" + 2 1/4" (2 1/8")	
2" Belair Z frame	1 1/8" (x2)	1/8"	MFF = Window Size - 1/8" + 2 1/4" (2 1/8")	
2" Bullnose Z Frame	1 1/8" (x2)	1/8"	MFF = Window Size - 1/8" + 4 1/4" (4 1/8")	
3" Crown Z Frame	2 1/8" (x2)	1/8"	MFF = Window Size - 1/8" + 4 1/4" (4 1/8")	
2" Camber Deco Frame	2" (x2)	N/A	N/A	MFF = Window Size + 4"
2" Classic Deco Frame	2" (x2)	N/A		MFF = Window Size + 4"
3" Ridge Deco Frame	3" (x2)	N/A		MFF = Window Size + 6"

* Z Frames - portion of frame that is outside of the window opening

**Conversion considers light block inside the window opening

Lift Systems - SmartFit with Frame

Special Note for calculating max frame to frame measurements for Z frames

Z frames are inside mounted frames. The body of the frame must fit within the window opening with only the outer lip of the frame residing outside of the window. Since the body of the frame must fit within the window opening we recommend taking a 1/16" deduction from each side of the smallest width and smallest height for an overall total of 1/8" to ensure the frame will fit within the opening. If the window is more than 1/4" out of square a larger deduction should be taken.

To calculate the max frame to frame width and height, first measure the window opening and deduct 1/16" from the smallest width and height of each side for an overall total of 1/8". Add the measurements (smallest window sizes minus the 1/8" deduction) to the portion of the Z frame lip that will be mounted outside of the window opening to arrive at the max frame to frame measurements.

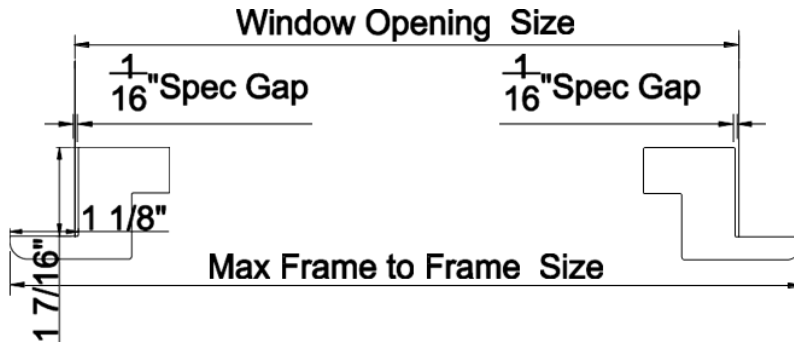
1 1/4" Beaded Z	0.375"
1 1/2" Bullnose	0.625"
2" Belair & Bullnose	1.125"
3" Crown	2.125"

Fractions to decimals	
1/16	0.0625
1/8	0.125
1/4	0.25
3/8	0.375
1/2	0.5
5/8	0.625
3/4	0.75
7/8	0.875

Example: For a 36" x 60" window opening using a 2" Bullnose Z frame:

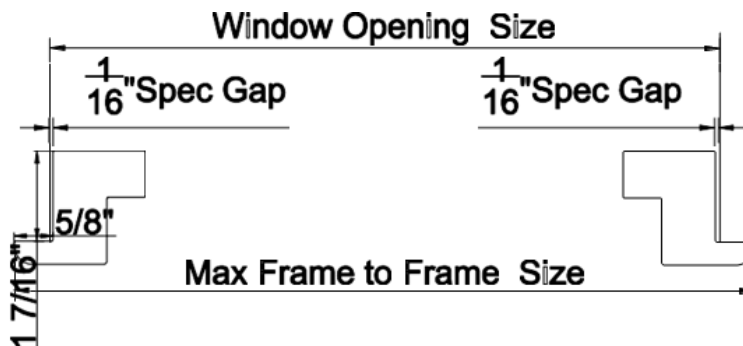
36 - (2 x 0.0625") = 35.875" wide + (2 x 1.125") = 38.125" max frame to frame width
 60 - (2 x 0.0625") = 59.875" tall + (2 x 1.125") = 62.125" max frame to frame height

2" Bullnose Z Frame



$$\text{Max frame to frame size} = \text{Window Opening Size} - 1/8" + 2 \times 1/4"$$

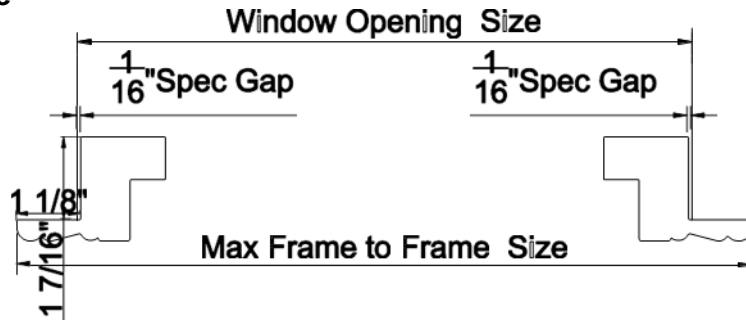
1 1/2" Bullnose Z Frame



$$\text{Max frame to frame size} = \text{Window Opening Size} - 1/8" + 1 \times 1/4"$$

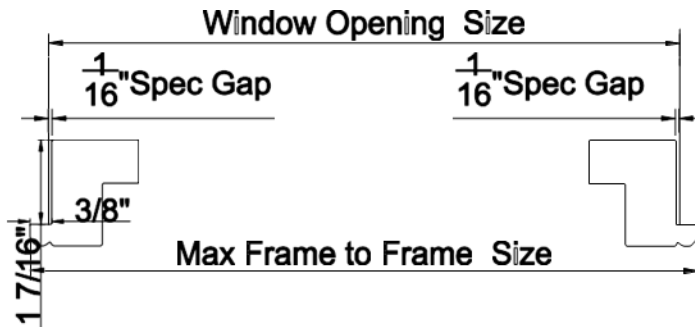
Lift Systems - SmartFit with Frame

2" Belair Z frame



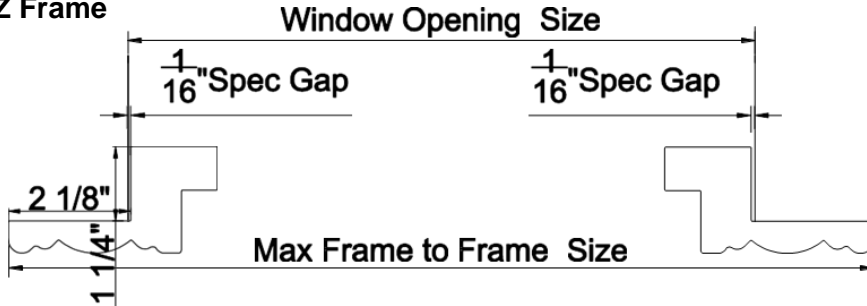
Max frame to frame size=Window Opening Size- $\frac{1}{8}$ " + $2\frac{1}{4}$ "

1 1/4" Beaded Z Frame



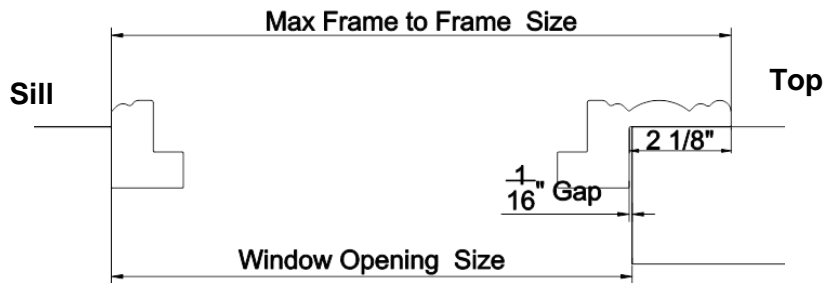
Max frame to frame size=Window Opening Size- $\frac{1}{8}$ " + $\frac{3}{4}$ "

3" Crown Z Frame



Max frame to frame size=Window Opening Size- $\frac{1}{8}$ " + $4\frac{1}{4}$ "

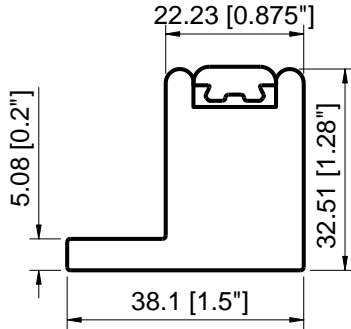
For orders using sill plates, subtract the recommended deductions and add the top lip measurement to the height only.



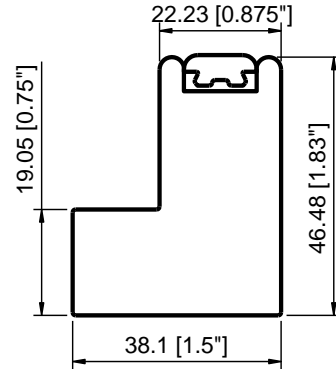
Lift Systems - SmartFit with Frame

Frame, and T-Post Options

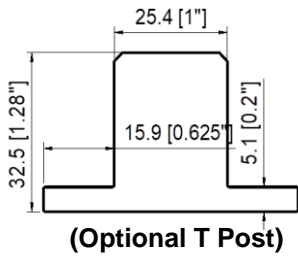
L Frames & Hang Strip



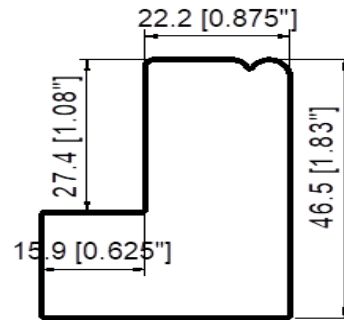
**Vintage L Frame with Insert
(1/4" Light Block)**



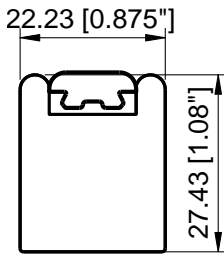
**Vintage L Frame with Insert
(3/4" Light Block)
Available with Notch Out Only**



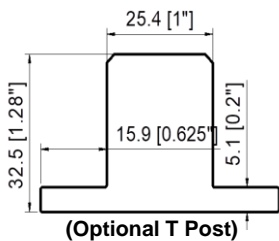
(Optional T Post)



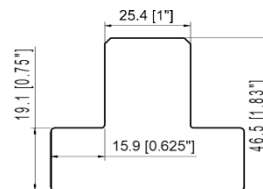
Beaded L frame



Vintage Hang Strip



(Optional T Post)

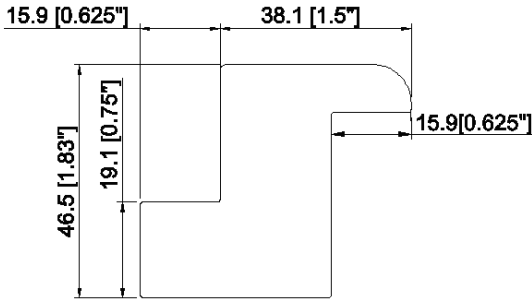


(Optional T Post)

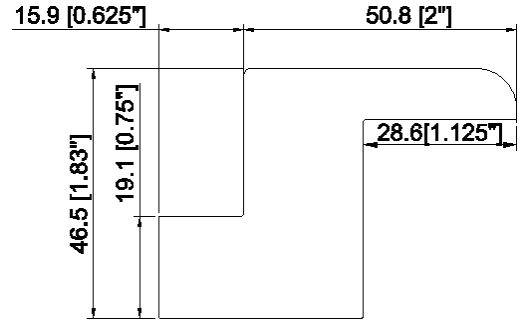
Lift Systems - SmartFit with Frame

Frame, T-Post and Sill Plate Options

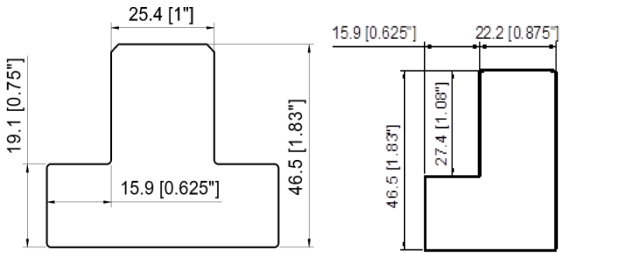
Z Frames



1 1/2" Bullnose Z Frame

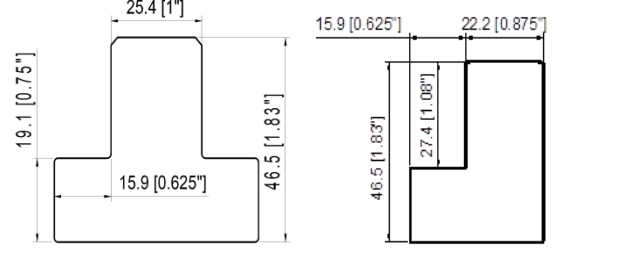


2" Bullnose Z Frame



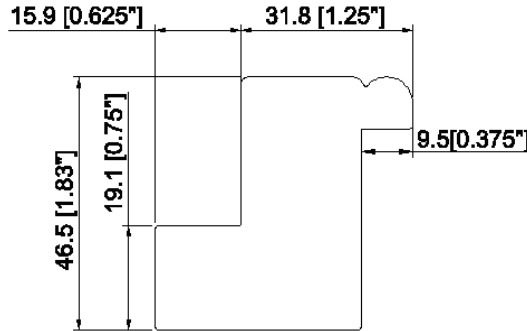
(Optional T Post)

(Optional Sill Plate)

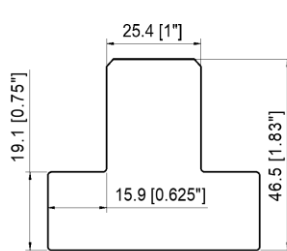


(Optional T Post)

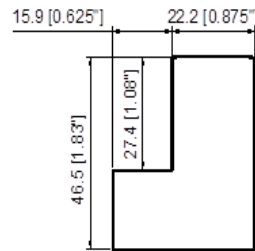
(Optional Sill Plate)



1 1/4" Beaded Z Frame



(Optional T Post)

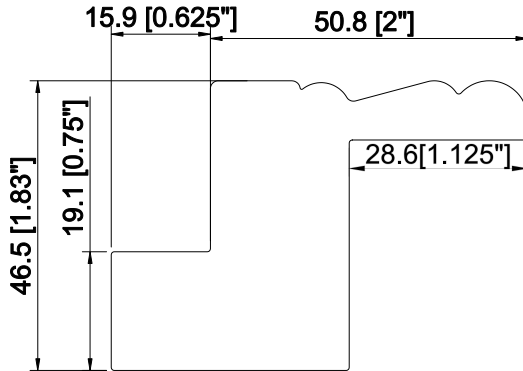


(Optional Sill Plate)

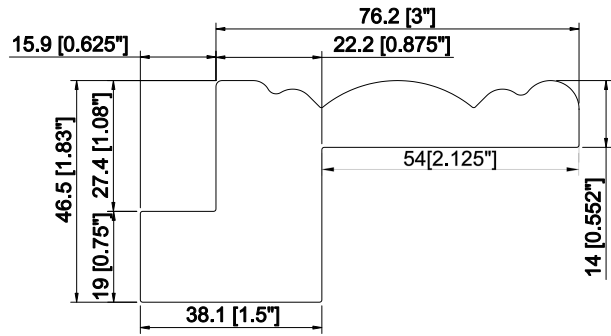
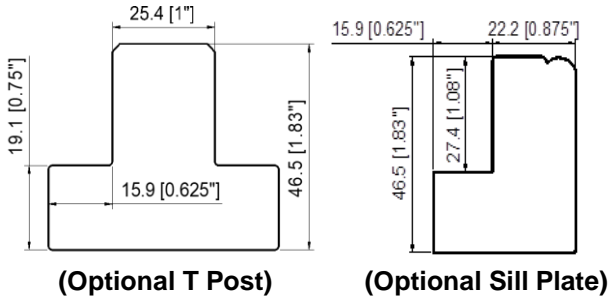
Lift Systems - SmartFit with Frame

Frame, T-Post and Sill Plate Options

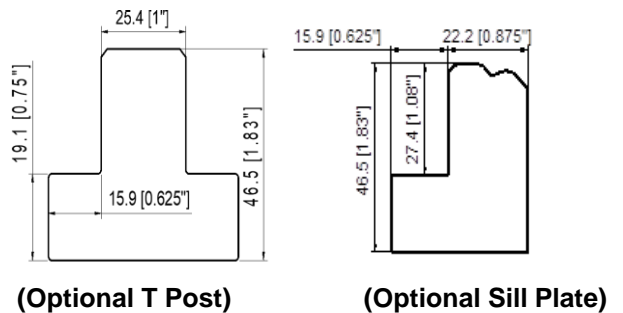
Z Frames



2" Belair Z Frame



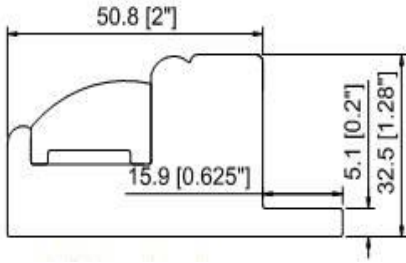
3" Crown Z Frame



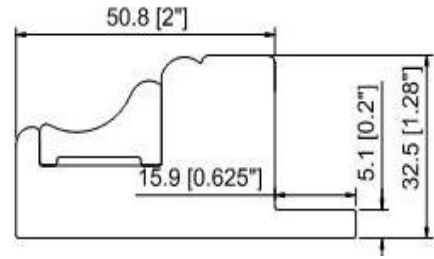
Lift Systems - SmartFit with Frame

Frame, T-Post and Sill Plate Options

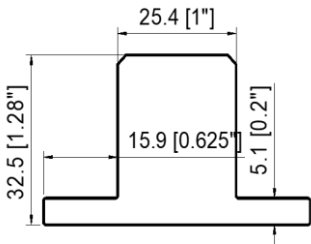
Deco Frames



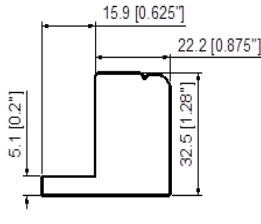
2" Camber Deco Frame



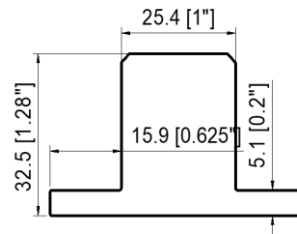
2" Classic Deco Frame



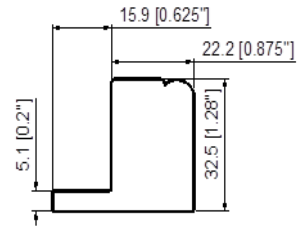
(Optional T Post)



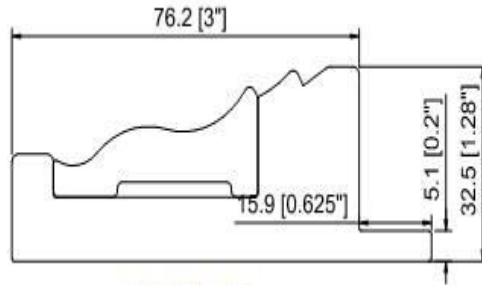
(Optional Sill Plate)



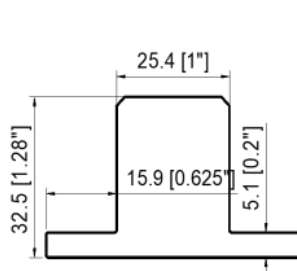
(Optional T Post)



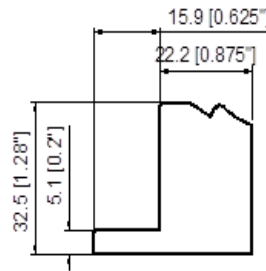
(Optional Sill Plate)



3" Ridge Deco Frame



(Optional T Post)



(Optional Sill Plate)

Lift Systems - SmartFit with Frame

T-Post Options

T-posts are a great option for:

- Covering wide windows
- A seamless solution for side by side windows

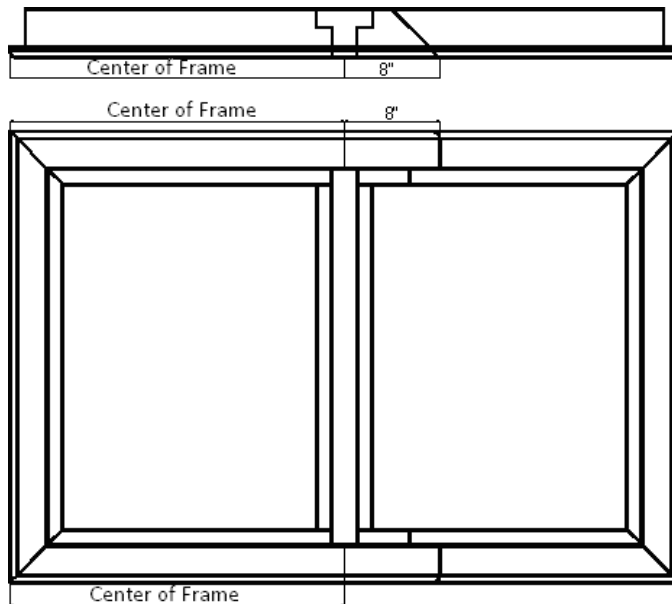
Each frame can have up to 3 T-posts which allows for 4 side by side shades

The Max Frame to Frame width and height for each frame type are outlined below

Frame + T - Post:

For frame (with T post) width > 120", the frame will be split. The split point will avoid the T-post location. Spliced away from the T-post.

Frame Type	Frame Width
ALL	120" < X ≤ 209" (2 pcs)



Lift Systems - SmartFit with Frame

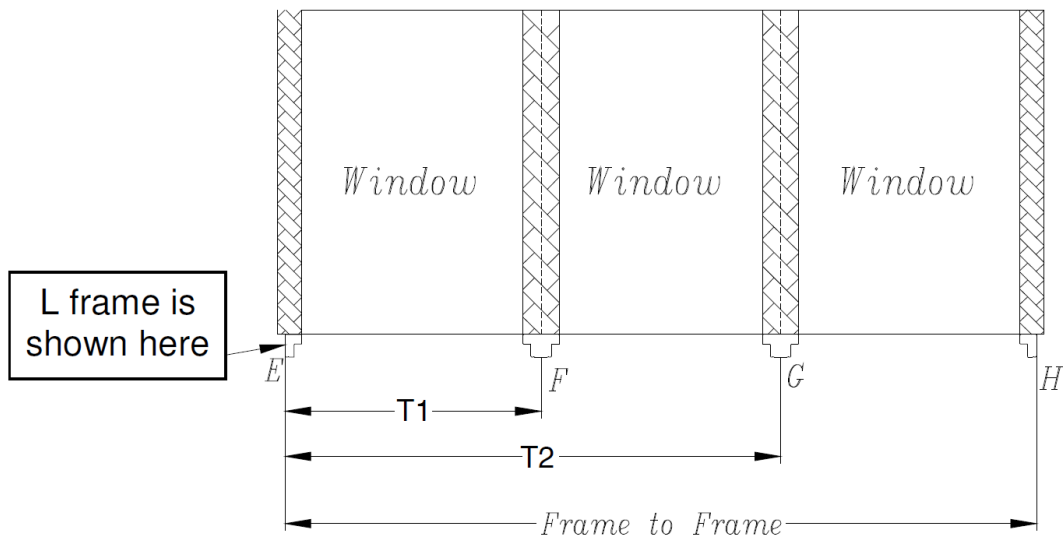
T-Post Measure Guidelines

T Post can be used to

- Divide a window vertically to match the window design with mullion
- Accommodate wider window opening/window with mullion

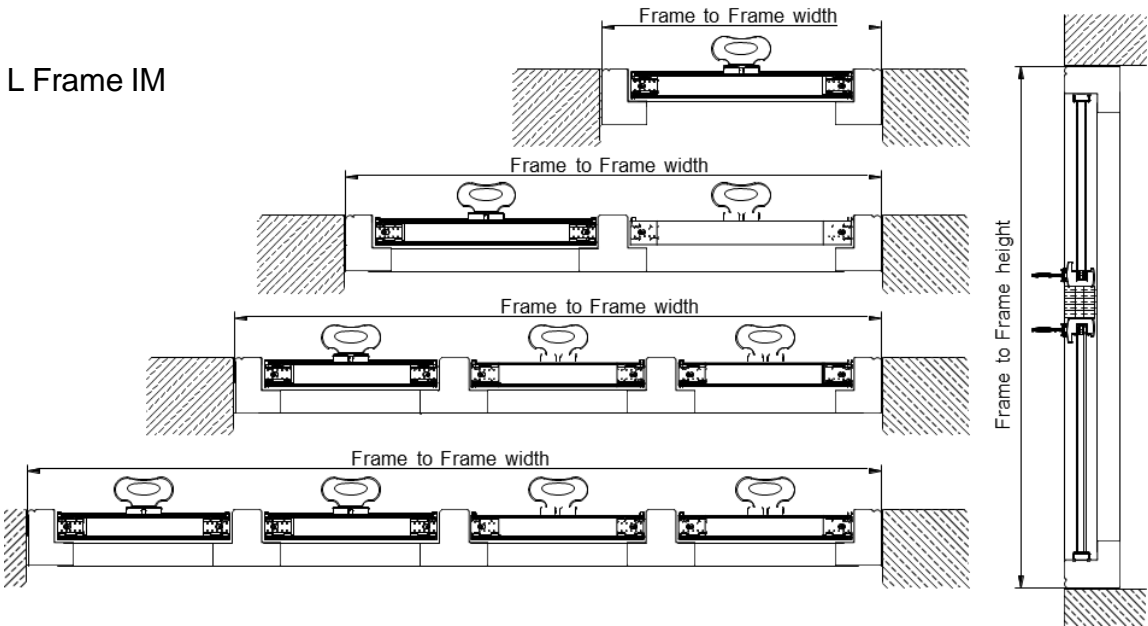
Measuring T Post location for Max Frame to Frame

1. T1 = measure point E to point F
2. T2 = measure point E to point G
3. Measure from point E to point H for overall Max Frame to Frame size.

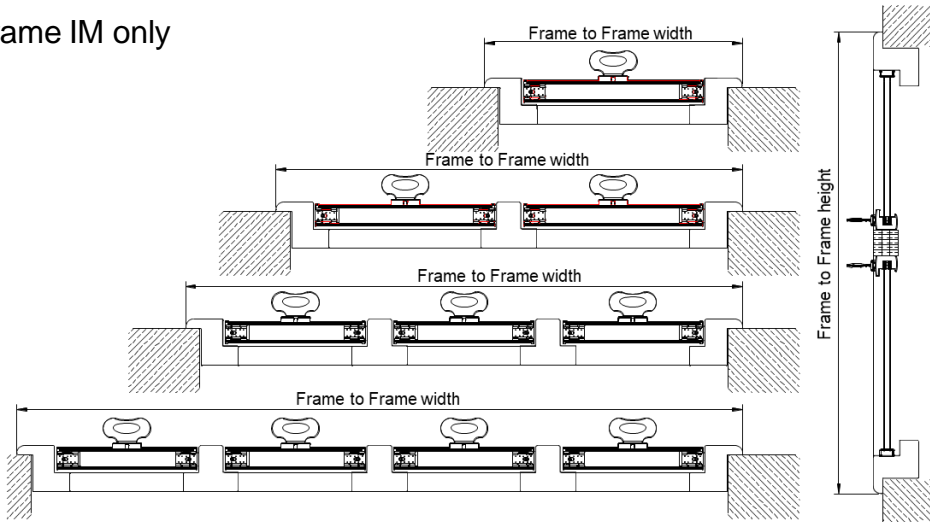


Lift Systems - SmartFit with Frame

Max Frame to Frame Size:

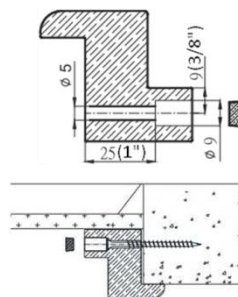


Z Frame IM only

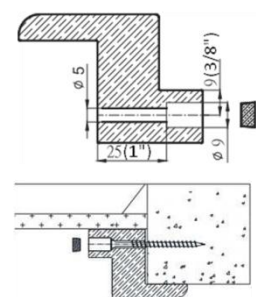


* The center of the screw hole to the top edge of Z frame is 3/8". The window depth should be enough to avoid the plaster thickness for proper installation.

* It's recommended to take 1/16" deduction for each side (1/8" deduction for both sides) from the window to get max frame to frame size for IB.



1.5" Bullnose Z Frame

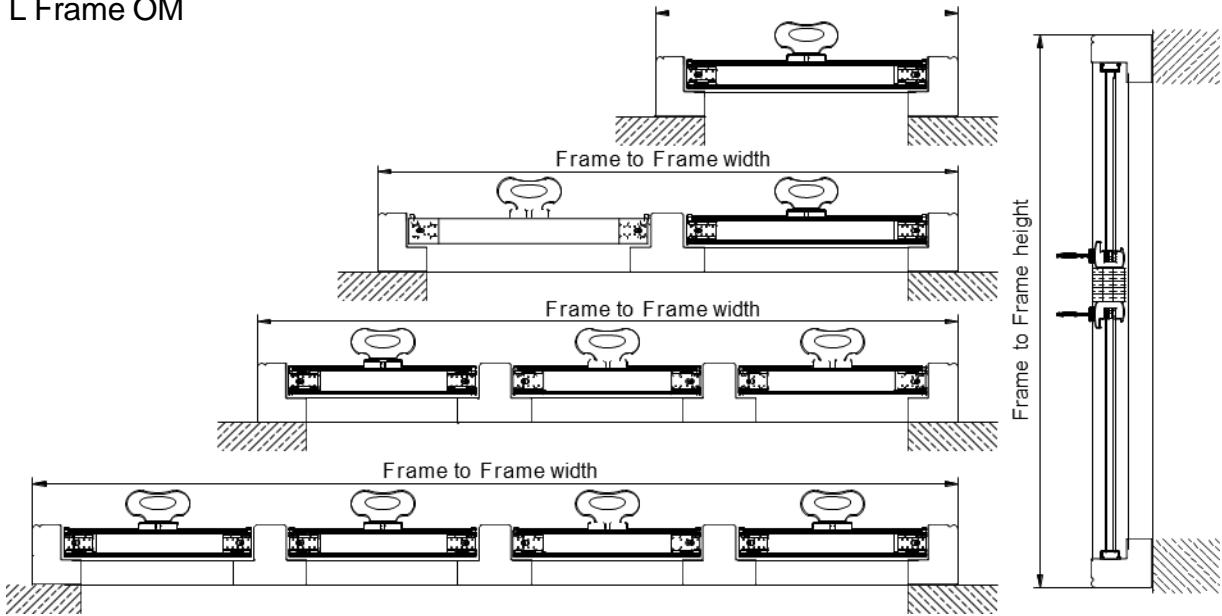


2" Bullnose Z Frame

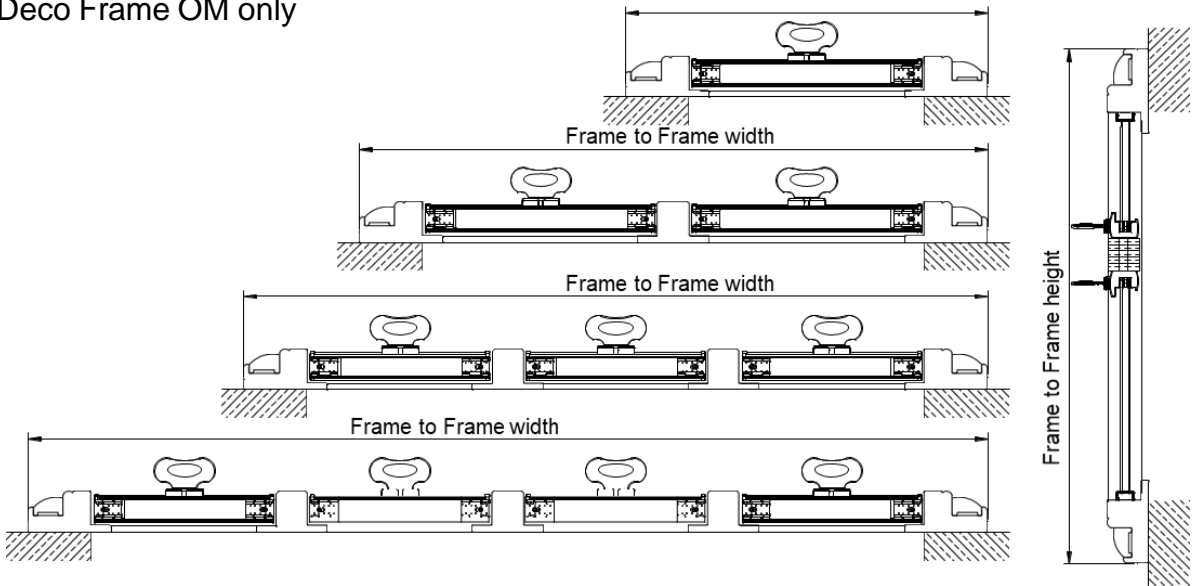
Lift Systems - SmartFit with Frame

Max Frame to Frame Size:

L Frame OM



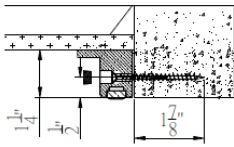
Deco Frame OM only



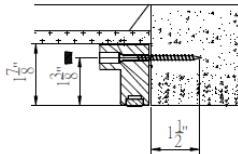
Inside Mount – L Frame & Hang Strip

Measuring for door with or without trim around the glass

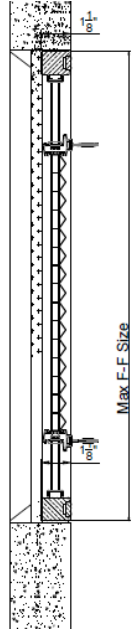
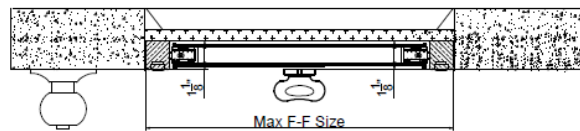
- **Our Recommendation:** take a 1/16" deduction on each side from the window area to get the max frame to frame size.
- Minimum distance of 3/4" is required for installing the L frame.
- L frame thickness:
 - 1 1/4" for 1/4" light block



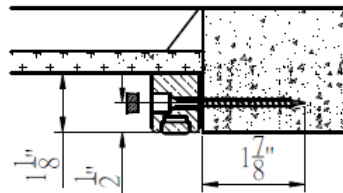
- 1 7/8" for 3/4" light block



Top View



- Hang strip thickness: 7/8".
- The center of screw hole to the top edge of hang strip is 1/2". The window depth should be enough to avoid the plaster thickness for proper installation.
- It's recommended to take 1/16" deduction for each side (1/8" deduction for both sides) from the window to get max frame to frame size for IB.



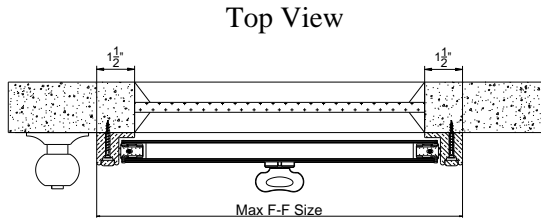
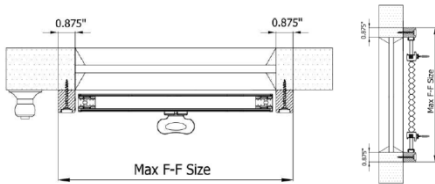
Lift Systems - SmartFit with Frame

SmartFit® with Frame

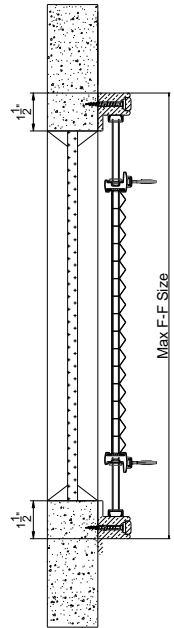
Outside Mount

Measuring for door with no trim around the glass

- **Our Recommendation:** add 1 1/2" on each side from the glass area to get the max frame to frame size. (With hang strip add 7/8")
- Minimum distance of 3/4" is required for installing the L frame.
- L frame thickness is 1 9/32"

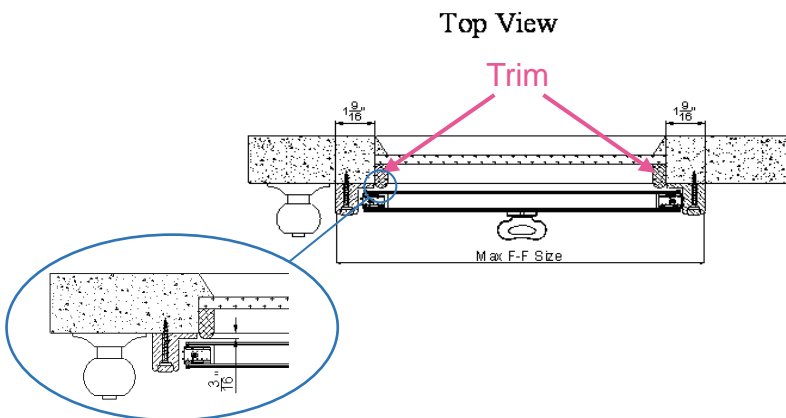


Side View

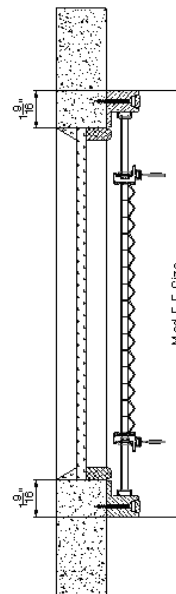


Measuring for door with trim around the glass

- **Our Recommendation:** add 1 9/16" on each side from the outside trim measurement to get the max frame to frame size.
- Projection of trim should be no more than 3/16"*
 - If the projection of the trim is more than 3/16", you will need to:
 - Utilize the L frame with the 3/4" light block with Notch Out so the frame rests over the trim.
 - Determine the height and depth of the notch out to allow it to sit over the trim (Maximum height 1/2", width 1 1/8").



Side View



Lift Systems - SmartFit with Frame

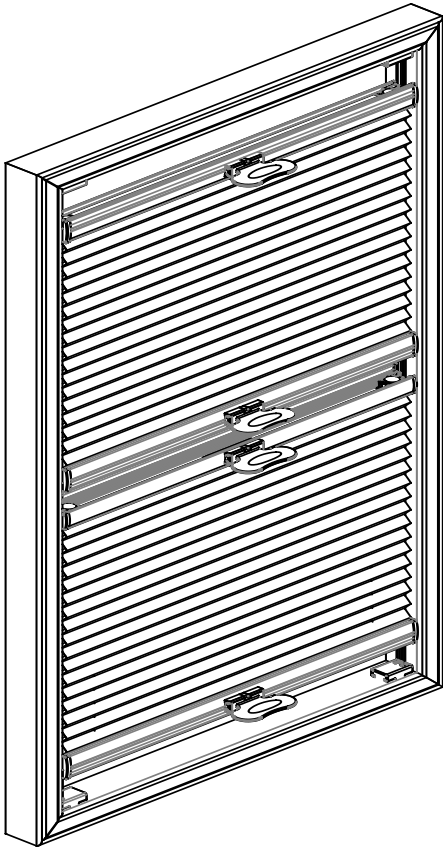
Pre-Drill Options

Frame Type	Frame	Mounting Type	Pre-drilled	
			IB	OB
L Frames	Vintage L Frame (1/4" Light Block)	IB & OB	Optional	Yes
	Vintage L Frame (3/4" Light Block)		Optional	Yes
	Beaded L frame		Optional	No
Hang Strip	Hang Strip		Optional	Yes
Deco Frames	2" Camber Deco Frame	OB	N/A	Yes
	2" Classic Deco Frame		N/A	Yes
	3" Ridge Deco Frame		N/A	Yes
Z Frames	1 ¼" Beaded Z Frame	IB	Optional	N/A
	1 ½" Bullnose Z Frame		Optional	N/A
	2" Belair Z frame		Optional	N/A
	2" Bullnose Z Frame		Optional	N/A
	3" Crown Z Frame		Optional	N/A

Lift Systems - SmartFit Dual Shade with Frame

SmartFit® Dual Shade with Frame

- All available* fabric types in 3/8" Single cell can be combined as top or bottom shades; no fabric type defaults.
- *Flame Resistant (LF & RD) and FR Essentials fabrics are not available for SmartFit® Dual.



SmartFit Dual Shade with Frame Cell Combinations	
Top	Bottom
3/8" Single	3/8" Single

	Order Width	Handle QTY
SmartFit Dual (3/8" S max is 50")	X ≤ 50"	4
	X > 50"	8

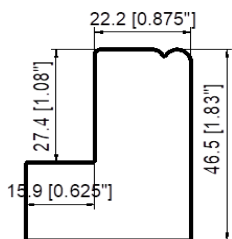
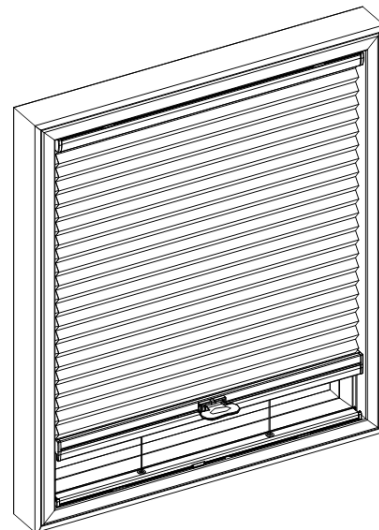
- Each shade between T-posts are still limited to a single SmartFit Dual shade

	Width (Net)		Height		Max Area
	Min	Max	Min	Max	
SmartFit® Dual Shade (3/8" S)	8 ½"	50"	12"	86"	43 SQFT

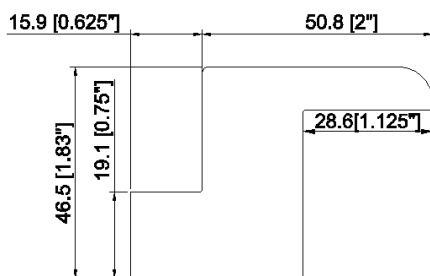
Lift Systems - SmartFit for Sloped Windows with Frame

SmartFit® for Sloped Windows with Frame

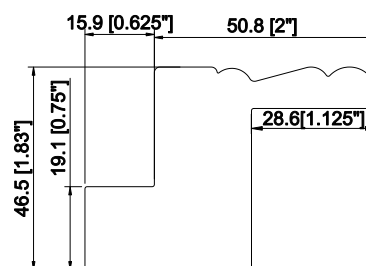
- Available in 3/8" Single cell only
- Available in the following frame styles:
 - Beaded L frame
 - 2" Belair Z frame
 - 2" Bullnose Z Frame
 - L frames are available in IB and OB. Z frames are available in IB only.
- With decorative frame and brackets pre-attached
- Optional pre-drill: For inside mount, select pre-drilled frame for easy installation. Wood plugs and mounting screws will be supplied.
- T-posts and sill plates are not available
- Perfect solution for skylight windows or sloped windows 15° to 90°
- SmartFit™ operates as bottom up only



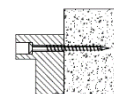
Beaded L Frame



2" Bullnose Z Frame



2" Belair Z Frame



Pre-drill option available for IB only in L and Z frames.

Size Considerations

L Frame				
System	Min. Width	Max. Width	Min. Height	Max. Height**
SmartFit® for Sloped Windows with Frame	10 1/2"	60 7/8"	7 3/4"	121 3/4"
2" Z Frame				
System	Min. Width	Max. Width	Min. Height	Max. Height**
SmartFit® for Sloped Windows with Frame	12 5/8"	63 1/8"	10"	124"

*Only max frame to frame measurements will be accepted

**The frame will be split when the frame length > 120".

SmartFit® for Sloped Windows with Frame	SmartFit® for Sloped Windows Shade Size (No frame)			
	Shade Min Width	Shade Max Width	Shade Min Height	Shade Max Height
Frame Type	8 1/2"	59"	6"	120"
Beaded L (frame to frame size)	min width + 2" = 10 1/2"	max width + 1 7/8" = 60 7/8"	min height + 1 3/4" = 7 3/4"	max height + 1 3/4" = 121 3/4"
2" Belair Z / 2" Bullnose Z (frame to frame size)	min width + 4 1/8" = 12 5/8"	max width + 4 1/8" = 63 1/8"	min height + 4" = 10"	max height + 4" = 124"

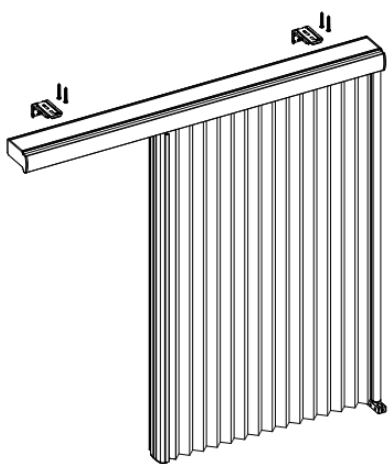
	Order Width	Shade Handle QTY
SmartFit for Sloped Windows with Frame	All	1



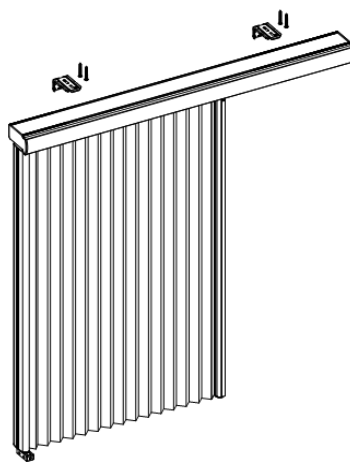
Lift Systems - Patio Door Vertical Honeycomb

Patio Door Vertical Honeycomb

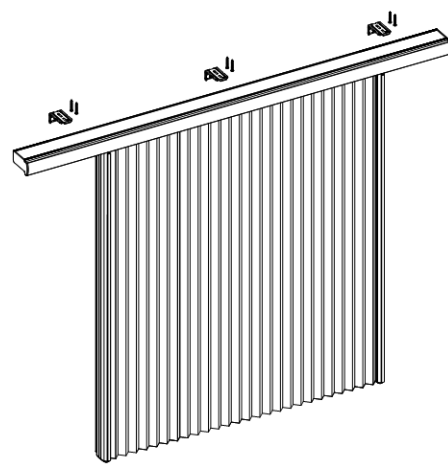
- Available in 3/4" Single and 1 1/4" Single cell sizes only
- Stacking configurations:
 - Left Stack
 - Right Stack
 - Traveling Center Stack
 - Center Opening
 - Split evenly
 - Custom Split: Left and right widths can be specified
- Magnetic strips are attached to the center moving vertical rails on Center Opening and Vertical D&N shades.



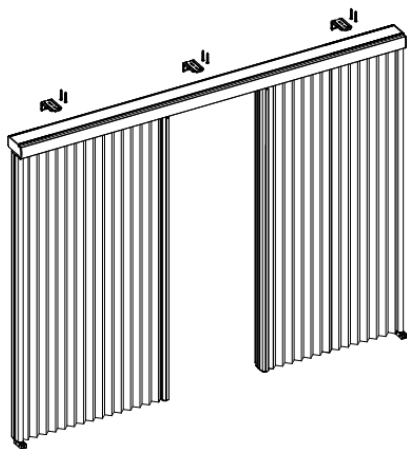
Right Stack



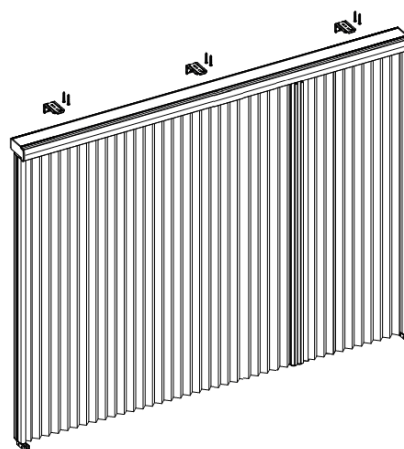
Left Stack



Traveling Center Stack



Center Opening
(Split Evenly)



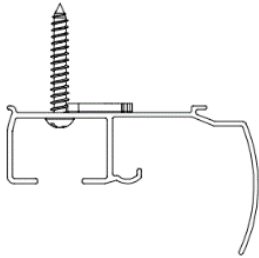
Center Opening
(Custom Split)

Lift Systems - Patio Door Vertical Honeycomb

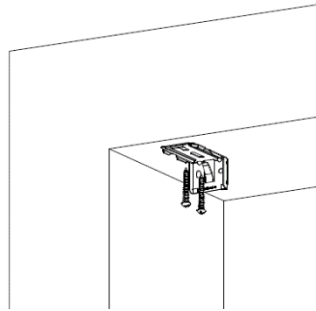
Patio Door Vertical Honeycomb Mounting & Measuring

-Inside Mount:

- Top-Mount (pre-drilled headrail)
- Installation Bracket

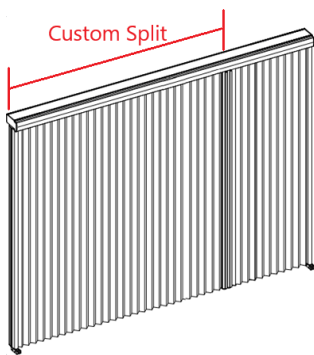
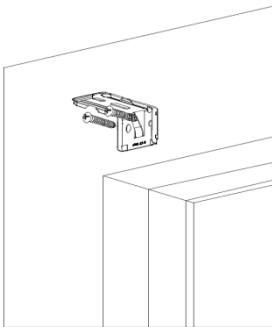


(Top-Mount Pre-Drilled Headrail)



(Installation Brackets)

-Outside Mount- Mounting brackets will be provided for wall-mount installation



How to Measure for Custom Split:

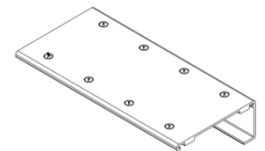
- Shade Width:** measure from the left end cap to the right end cap along the headrail.
- Shade Height:** measure from the top of headrail to the bottom of vertical rail end cap.
- Custom Split:** measure from the left headrail end cap to the middle vertical rails joint.

Vertical Rail Splice with Keystone

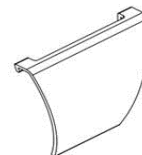
For Vertical and Vertical Day & Night Shades, the headrail will be split evenly when the below size limitations are met. Both a headrail connector and keystone will be provided.

Vertical headrail will be spliced when:

- OB: the shade width $\geq 97 \frac{5}{8}$ " and the shade width $>$ (order height - $2 \frac{3}{16}$ ")
- IB: the shade width $\geq 97 \frac{5}{8}$ " and the shade width $>$ (order height - $2 \frac{5}{16}$ ")



Headrail Connector

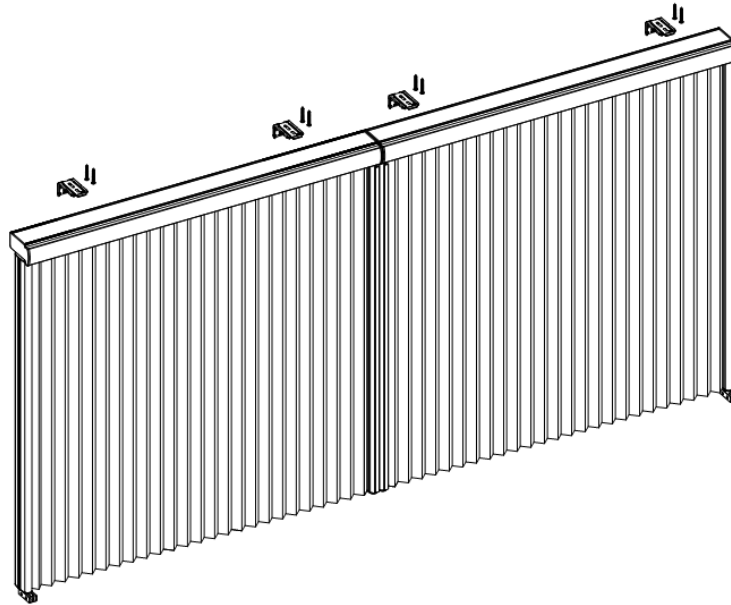


Keystone

Lift Systems - Patio Door Vertical Honeycomb

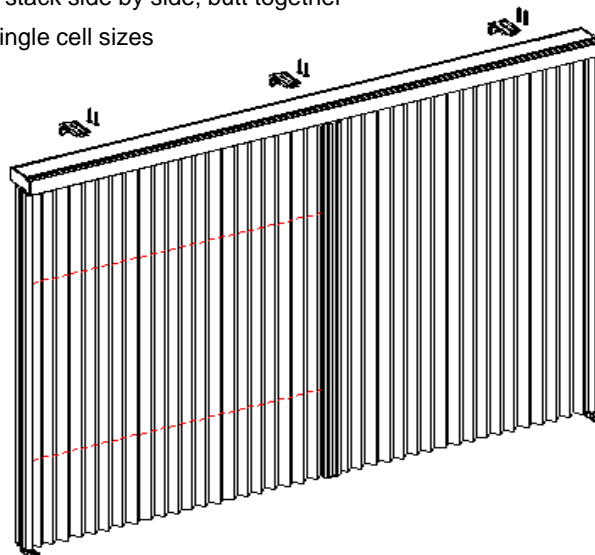
Patio Door Vertical Honeycomb: Butt together

- Side by side butt option
- Both shades must have the same order height
- Stacking configurations: left shade must be Left Stack, and right shade must be Right Stack
- Mount options:
 - Available in IM and OM
 - Note: Shades that will be butt together must be the same mount type
- Magnet strips are included in the center of each side of the moving rails to avoid any light gaps



Patio Door Vertical Day & Night

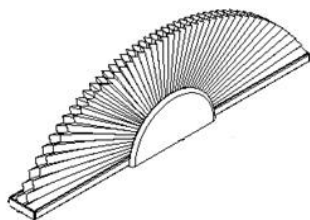
- Select from the available fabric combinations: [D&N fabric combinations](#)
- Stacking Configuration: Center Opening only
 - Left shade and right shade stack side by side, butt together
- Available in 3/4" Single and 1 1/4" Single cell sizes



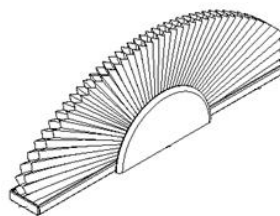
Lift Systems - Specialty Shapes



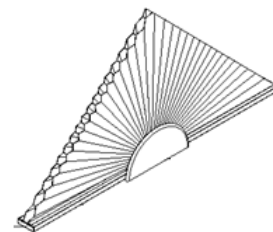
Perfect Arch (Half Round)



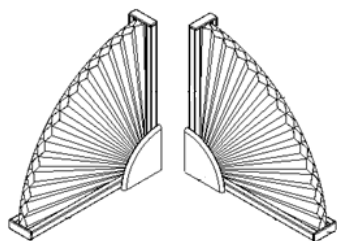
Eyebrow



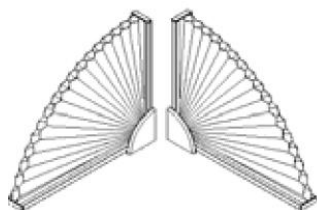
Elongated Eyebrow



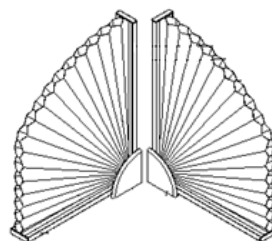
Triangle



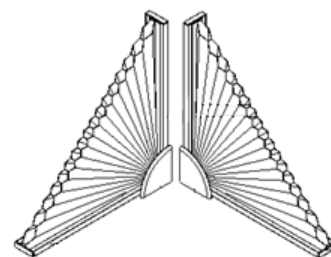
Quarter Round Left & Right



Half Eyebrow Left & Right



Arch on Top Left & Right



Angle Top Left & Right

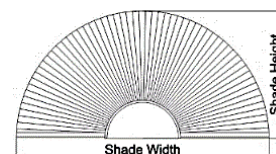
Honeycomb Specialty Shapes are only available in the above 8 shapes. We do not accept templates.

All specialty shapes are:

- IB only
- non-operable shades
- Not available in 3/4" Double or 1 1/4" Single cell sizes.

Size Limitations

1. Perfect Arches: height must be half of the width
2. Eyebrows:
 - Shade height must be less than half of the shade width
3. Elongated eyebrows:
 - Both leg heights must be equal
 - Minimum leg height: 1"; but less than shade height
 - The shade height minus leg height must be:
 - 5" or more
 - Less than or equal to half of the shade's width
4. Quarter Rounds: width and height must be equal.
5. Arch on Top:
 - Minimum leg height: 1", but less than shade height
 - The shade height minus leg height must be:
 - 5" or more
 - Less than or equal to the shade's width
6. Angle Tops: Width and height do not need to meet a certain ratio; just needs to be within the size limitation.
7. Half Eyebrow: shade height must be less than shade width



Shade		Min Size	Max Size
Perfect Arch, Eyebrow, Elongated Eyebrow	Width	10"	96" *
	Height	5"	48"
Quarter Round, Angle Top, Arch on Top, Half Eyebrow (L or R)	Width	5"	48"
	Height	5"	48"
Triangle	Width	10"	96" *
	Height	5"	48"

The above limitations are net sizes, not order sizes.
*Reminder: Windsong Fabrics cannot exceed max 86" W x 86" H

Headrail Colors

Default rail colors are assigned by the fabric color selected. Rail color override is available to select from the following rail colors, depending on the honeycomb system chosen:

Default Rail Colors for Day & Night Shades

For Day & Night Shades, only one rail color will be used for both shades. The rail color will default to the "Night" shade. The default rules are as follows, or rail color override is available as an option.

- Different opacity shades:
 - When there are different opacities, the "Night" shade has the highest opacity level, regardless of whether the shade is positioned on the top or bottom, or left or right for Vertical.
 - *Example 1: For Windsong + LF, LF is the Night shade.*
 - *Example 2: For LF + RD: RD is the Night shade*
- Same opacity shades:
 - When both shades have the same opacity level, the "Night" shade is the bottom shade for standard shades.
 - *Example 1: For LF (top) + LF Designer (bottom), LF Designer is the night shade.*
 - When both shades have the same opacity level, the "Night" shade is the right shade for Vertical.
 - *Example 1: For Vertical LF (left) + LF Designer (right), LF Designer is the night shade.*

See Color Coordination Chart for a list of available rail colors for each system and fabric type.

Available Rail Colors
3058 White
3094 Cottage White
3128 Gray Cloud
3129 Silver
3212 Black Ink
3334 Terra
3335 Ginger Spice
3463 Chocolate
3475 Plum Purple
3577 Cream
3578 Sahara
3579 Nature
3582 Sand
3613 Celery
3715 Agave
3716 Indigo
3722 Sky
3012 Bianca

Frame Colors (SmartFit™ with Frame)

Frame: Normandy® wood material

Color Availability: 42 colors – Normandy® shutter collection

Type	Color Code	Frame Availability: Norman Color Name
Paint	001	Pure White
Paint	002	Extra White
Paint	003	Silk White
Paint	004	Bright White
Paint	006	Pearl
Paint	007	Ivory Lace
Paint	009	Creamy
Paint	012	Crisp Linen
Paint	013	Bisque
Paint	017	Gray Black
Paint	019	String
Paint	032	Sea Mist
Paint	046	Ice
Paint	053	Clay
Paint	063	Decorator's White
Paint	066	Winchester White 2010
Paint	076	Aura White
Paint	080	Taupe Gray
Paint	090	TS White
Paint	600	True White
Paint	601	Chiffon
Paint	603	Natural Linen
Paint	609	Chateau Brown
Paint	836	Classic Black
Stain	108	Rustic Gray
Stain	110	Limed White
Stain	200	Natural
Stain	202	Golden Oak
Stain	205	Goldenrod
Stain	221	Black Walnut
Stain	227	Red Oak
Stain	229	Rich Walnut
Stain	230	Old Teak
Stain	237	Wenge
Stain	242	Auburn
Stain	246	Matte Black
Stain	248	Pretzel
Stain	250	Sumatra
Stain	252	Toffee
Stain	254	Driftwood
Stain	255	Silver Gray
Stain	862	French Oak

Estimated Fabric Stacking Heights

Disclaimer: The below figures are estimated fabric stacking heights, for reference. These are not guaranteed, exact measurements. Actual stacking height may vary for each shade.

System	Fabric	3/8" Single (")				9/16" Single (")				3/4" Single (")			
		48"	72"	84"	144"	48"	72"	84"	144"	48"	72"	84"	144"
Shade Drop		48"	72"	84"	144"	48"	72"	84"	144"	48"	72"	84"	144"
SmartRise™ Cordless	LF	3.55	4.44	4.88	N/A	2.68	3.06	3.25	4.21	2.73	3.21	3.45	N/A
	RD	3.45	4.29	4.71		2.59	2.92	3.09	3.94	2.68	3.14	3.37	
	FR	3.55	4.44	4.88		N/A				2.78	3.28	3.54	
Cordless TDBU	LF	4.37	5.26	5.71	N/A	3.74	4.13	4.32	5.27	3.56	4.04	4.28	N/A
	RD	4.28	5.12	5.54		3.65	3.98	4.16	5.01	3.51	3.97	4.19	
	FR	4.37	5.26	5.71		N/A				3.61	4.11	4.36	
Cordless Day & Night	Sheer & RD	5.6	7.16	7.94	N/A	4.39	5.06	5.40	7.10	4.16	5	5.42	N/A
	Sheer & LF	5.7	7.3	8.11		4.50	5.23	5.59	7.41	4.21	5.07	5.5	
Motorized Bottom Up, Cord Loop & SmartRelease™	LF	3.45	4.29	4.71	6.81	3.04	3.42	3.61	4.56	2.73	3.21	3.45	4.65
	RD	3.36	4.15	4.54	6.52	2.94	3.28	3.45	4.30	2.68	3.14	3.37	4.51
	FR	3.5	4.36	4.8	6.96	N/A				2.78	3.28	3.54	4.8
Cord Loop D&N	Sheer & RD	5.65	7.05	7.74	11.30	4.28	4.94	5.28	6.98	4.26	4.94	5.27	6.95
	Sheer & LF	5.74	7.18	7.88	11.44	4.38	5.11	5.47	7.29	4.33	5.04	5.39	7.15
Cord Loop TD, Cordless TD, & Motorized TD	LF	4.35	5.13	5.51	7.44	3.63	4.01	4.20	5.15	3.56	3.92	4.09	4.98
	RD	4.26	5.00	5.38	7.30	3.54	3.87	4.04	4.89	3.49	3.82	3.98	4.78
	FR	4.07	4.70	5.02	6.57	N/A				3.46	3.76	3.91	4.67
SmartFit®	LF	3.25	4.09	4.51	N/A	2.64	3.02	3.21	4.17	2.77	3.25	3.49	N/A
	RD	3.16	3.95	4.35		2.55	2.88	3.06	3.91	2.72	3.18	3.41	
	FR	3.3	4.17	4.6		N/A				2.82	3.32	3.58	

Estimated Fabric Stacking Heights

Disclaimer: The below figures are estimated fabric stacking heights, for reference. These are not guaranteed, exact measurements. Actual stacking height may vary for each shade.

System	Fabric	1/2" Double (")				3/4" Double (")					1 1/4" Single (")				
Shade Drop		48"	72"	84"	144"	48"	72"	84"	120"	144"	48"	72"	84"	120"	144"
SmartRise™ Cordless	LF	2.89	3.39	3.63	4.86	2.6	2.93	3.09	3.59	N/A	2.4	2.62	2.73	3.07	N/A
	RD	2.8	3.25	3.47	4.59	2.54	2.83	2.98	3.23		2.35	2.55	2.65	2.8	
	FR	N/A													
Cordless TDBU	LF	3.83	4.34	4.58	5.81	3.2	3.52	3.68	N/A		2.99	3.21	3.32	N/A	
	RD	3.74	4.2	4.42	5.54	3.13	3.43	3.57			2.94	3.14	3.24		
	FR	N/A													
Cordless Day & Night	Sheer & RD	4.69	5.6	6.04	8.28	3.77	4.37	4.65	N/A		3.39	3.8	3.99	N/A	
	Sheer & LF	4.78	5.74	6.2	8.55	3.68	4.22	4.47			3.48	3.91	4.1		
Motorized Bottom Up, Cord Loop & SmartRelease™	LF	3.24	3.75	3.99	5.22	2.91	3.24	3.40	4.21	4.21	2.71	2.93	3.04	3.38	3.61
	RD	3.15	3.61	3.83	4.94	2.88	3.18	3.32	4.06	4.06	2.66	2.87	2.96	3.28	3.48
	FR	N/A													
Cord Loop D&N	Sheer & RD	4.69	5.6	6.04	8.28	3.96	4.46	4.70	5.47	5.96	3.74	4.15	4.34	4.97	5.38
	Sheer & LF	4.78	5.74	6.2	8.55	3.99	4.53	4.78	5.60	6.11	3.79	4.22	4.41	5.08	5.51
Cord Loop TD & Motorized TD	LF	3.83	4.34	4.58	5.81	3.51	3.83	3.99	4.49	4.80	3.30	3.52	3.63	3.97	4.20
	RD	3.74	4.2	4.42	5.54	3.47	3.77	3.91	4.37	4.65	3.25	3.46	3.55	3.87	4.07
	FR	N/A													
SmartFit®	LF	2.85	3.35	3.6	4.83	2.53	2.86	3.01	N/A		2.32	2.54	2.65	N/A	
	RD	2.76	3.21	3.43	4.55	2.46	2.76	2.9			2.27	2.48	2.57		
	FR	N/A													

Estimated Fabric Stacking Heights

Disclaimer: The below figures are estimated fabric stacking heights/widths, for reference. These are not guaranteed, exact measurements. Actual stacking height may vary for each shade.

System	Fabric	3/8" Single (")				9/16" Single	1/2" Double	3/4" Single	3/4" Double	1 1/4" Single
Shade Drop		48"	72"	84"	144"					
SmartFit® for Sloped Windows	LF	3.29	4.07	4.45	N/A	N/A	N/A	N/A	N/A	N/A
	FR	3.01	3.64	3.95						
	RD	3.20	3.94	4.31						
SmartFit with Frame for Sloped Windows	LF	3.06	3.9	4.32	N/A	N/A	N/A	N/A	N/A	N/A
	FR	3.11	3.97	4.4						
	RD	2.96	3.75	4.15						

Patio Door Vertical Stacking Width (Stackback)

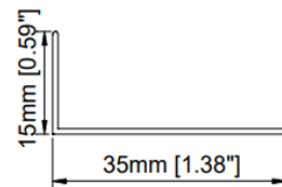
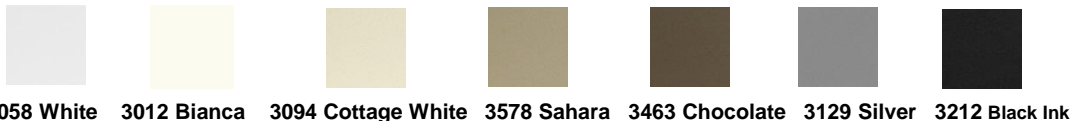
Cell Size	Left Stack/Right Stack/ Day & Night/Split Stack (Center Opening)		Traveling Center Stack	
	Shade Width (X1")	Stacking Width (")	Shade Width (X1")	Stacking Width (")
3/4" Single	$X1 \leq 92$	6 3/4	$X1 \leq 146$	10 5/8
	$92 < X1 \leq 102$	7 3/8		
	$102 < X1 \leq 111$	7 7/8		
	$111 < X1 \leq 121$	8 1/2		
	$121 < X1 \leq 130$	9		
	$130 < X1 \leq 140$	9 1/2		
	$140 < X1 \leq 146$	10		
1 1/4" Single	$X1 \leq 71$	6 3/4	$X1 \leq 130$	10 5/8
	$71 < X1 \leq 78$	7 3/8		
	$78 < X1 \leq 86$	7 7/8		
	$86 < X1 \leq 93$	8 1/2		
	$93 < X1 \leq 100$	9		
	$100 < X1 \leq 108$	9 1/2		
	$108 < X1 \leq 115$	10		
	$115 < X1 \leq 123$	10 5/8		
	$123 < X1 \leq 130$	11 1/4		
	$130 < X1 \leq 138$	11 3/4	$130 < X1 \leq 138$	11 1/4
	$138 < X1 \leq 146$	12 3/8	$138 < X1 \leq 146$	11 3/4

* for D&N & Split Stack, the above stacking height is for one side only.

Additional Options

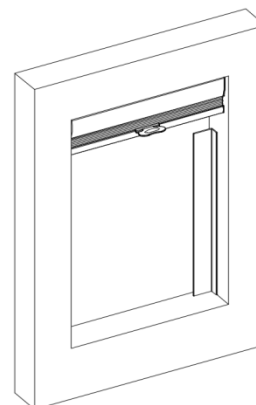
Light Guard

Available Colors:



- Inside Mount only
- Included for Motorized Skylights (the same as rail color), only available for 3058 White, 3094 Cottage White, 3129 Silver and 3212 Black Ink.
- Light Guard is available for all systems except for SmartFit® with Frame applications, Vertical applications, Specialty Shapes, or 2-on-1 Shades.
- **Light Guard Splicing Rule:** When the light guard length (L) is over 96", it will be spliced into two pieces. A clear adhesive tape will be provided to join the two pieces. The splicing points are as follows:

96" < L ≤ 102"	L > 102"
From the top down at 6"	From the bottom up at 96"



Hold Down

Traditional Hold-Down (Optional)

Magnetic Hold-Down

- Outside Mount only
- Not recommended for metal door applications
- The magnet will be attached at the factory before shipping.
- The magnet catch will need to be installed at the job site.



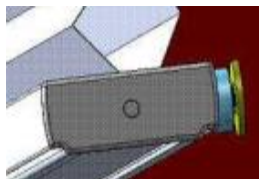
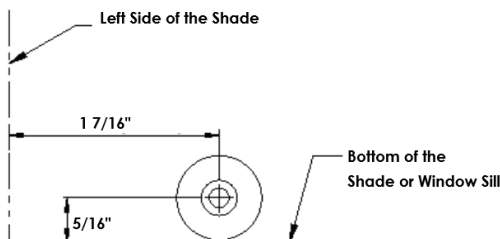
Available colors for Magnet Catch

- Nickel-Plated (Default)
- (Optional) Pure White, Silk White, Bisque, Pearl, Bright Brass, Antique Brass, Black, Crisp Linen, String, Sea Mist, Stone Gray, Brown Gray, Taupe Gray



Magnet

Magnet Catch



Lift Systems	Hold Down Availability
SmartRise™ Cordless	Yes
Cordless TDBU	Yes
Cordless Day & Night	Yes
Cordless (Woven)	Yes
Cordless TDBU (Woven)	Yes
Cord Loop	Yes
Cord Loop TD	Yes
Cord Loop Day & Night	Yes
SmartRelease™	Yes
Motorization	Yes
Motorized Skylights	N/A
SmartFit®	N/A
SmartFit® Dual Shade	N/A
SmartFit® for Sloped Windows	N/A
SmartFit® with Frame	N/A
SmartFit® Dual Shade with Frame	N/A
SmartFit® with Frame for Sloped Windows	N/A
Patio Door Vertical, Day & Night	N/A
Specialty Shapes	N/A

Allow for extra wall space:

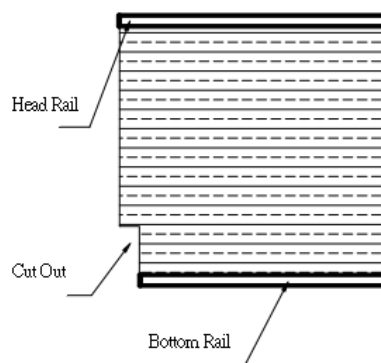
- 1 7/16" from the side edge of the shade
- 5/16" from the bottom edge of the shade or window sill

Additional Options - Cut-out

Systems	Shade Width (" ")	Min Cut-out Width	Max Cut-out Width	Min Cut-out Height	Max Cut-out Height
Cordless	$X \leq 16$	N/A			
	$16 < X \leq 23.5$	1/8"	0.75"	7/8"	Y - 2"
	$X > 23.5$	1/8"	1"	7/8"	Y - 2"
Cord Loop / SmartRelease / Motorized Bottom Up/ AutoWand™ Motorized Bottom Up	All sizes	1/8"	1"	7/8"	Y - 2"
Norman Smart Motorized Bottom Up	All sizes	1/8"	1"	1"	Y - 2"
Vertical	All sizes	For baseboards only. Cut-out is made on the rails, not the fabric. Max cut-out height: 6".			

Cut-out for Horizontal Shades

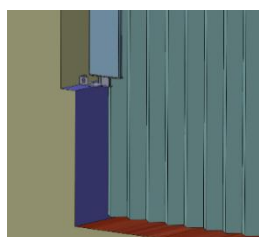
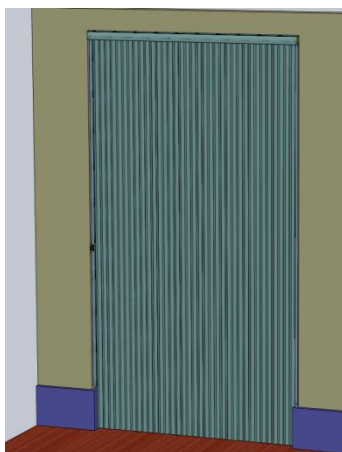
- Cut-out will be made on the bottom rail and the bottom section of the fabric.
- Cut-out location options:
 - Bottom Corner (Left)
 - Bottom Corner (Right)
 - Bottom Corners (Both L & R)
- Cut-out is made when the shade is fully extended. Measure upwards from the bottom of the Bottom Rail up to the start of the cut-out.
- Not available in:
 - Woven fabrics, Designer Ashton
 - TD/TDBU applications
 - Day & Night applications
 - All SmartFit® applications
 - 2-on-1 Shades
 - Specialty Shapes
 - Motorized Skylights



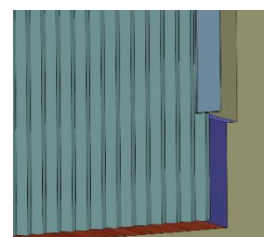
Cut-out for Vertical Shades

- For patio door honeycomb shades, the cut-out is only on the rails and not the fabric. See chart for movable vs. stationary rail availability →
- The max cut-out height is 6". No deductions will be taken.

Stacking Configuration	Stationary vertical rail	Moveable vertical rail
Right Stack	Yes	Yes
Left Stack	Yes	Yes
Travelling Center Stack	N/A	Yes
Split Stack (Center Opening)	Yes	N/A
Vertical Day & Night	Yes	N/A



Backside (stationary vertical rail)



Backside (movable vertical rail)

Portrait™ Honeycomb Shades

Parts & Accessories

Description	Drawing	Description	Drawing
Hold-Down Bracket (optional)		SmartFit L Bracket (pre-installed for OB)	
Magnetic Hold-Down (optional for OB)		SmartFit L Brackets (IB side mount, optional for windows with marble sill)	
Shim(optional & stackable) Not available for IB SmartFit, IB SmartFit Dual Shade, SmartFit for Sloped Windows, Specialty Shapes, Motorized Skylights and Patio Door Vertical Top-Mount	 3/8" thickness for one 11/16" thickness for two	Pole Attachment max 2 per shade Color: White, if ordered separately; Black, if ordered with poles. (pole not included; compatible with telescopic poles sold at hardware stores)	 Not compatible with previous handle design
Mounting Plate for SmartFit® and SmartFit® Dual Shades 3/8" S, 3/4" S, 9/16" S, 1/2" D Cells: <u>Default:</u> With mounting plate <u>Optional:</u> Without mounting plate 3/4" D, 1 1/4" S Cells: Mounting plate comes standard (required)	 (Outside Mount) (Inside Mount)	Pole Color: Black Sizes: 36" or 60" (max 2 per shade) *Pole holder included (clear) <u>Movable pole head</u> for SmartRise™ Cordless, Cordless TDBU, Cordless Day & Night; and Cordless & Cordless TDBU for Woven/Ashton fabrics <u>Stationary pole head</u> for SmartFit®, SmartFit® Dual Shades and SmartFit® or Sloped Windows	 Not compatible with previous handle design
Cord Loop System Cord Tensioner			
Cord Loop System Cord Tensioner Holder IM / OM	IM OM (For Semi-IM Cord Tensioner)	Honeycomb Shade Handles	All Cordless applications Woven Cordless & Cordless TDBU only (handle base is pre-installed on rails) All SmartFit® applications

Mounting Brackets / Shim Quantity

For Cordless/ Cordless TDBU/ Cordless Day & Night

Shade Width	$X \leq 43''$	$43'' < X \leq 72''$	$72'' < X \leq 101''$	$X > 101''$
# of mounting brackets	2	3	4	5
1 shim per bracket = 3/8" projection from the wall	2 shims	3 shims	4 shims	5 shims
2 shims per bracket = 11/16" projection from the wall	4 shims	6 shims	8 shims	10 shims

For Woven Cordless/ Woven Cordless TDBU

Shade Width	$X \leq 39''$	$39'' < X \leq 66''$	$66'' < X \leq 86''$
# of mounting brackets	2	3	4
1 shim per bracket = 3/8" projection from the wall	2 shims	3 shims	4 shims
2 shims per bracket = 11/16" projection from the wall	4 shims	6 shims	8 shims

For Cord Loop/ SmartRelease™ / Cord Loop TD/ Cord Loop Day & Night

Shade Width	$X \leq 39''$	$39'' < X \leq 66''$	$66'' < X \leq 93''$	$X > 93''$
# of mounting brackets	2	3	4	5
1 shim per bracket = 3/8" projection from the wall	2 shims	3 shims	4 shims	5 shims
2 shims per bracket = 11/16" projection from the wall	4 shims	6 shims	8 shims	10 shims

For SmartFit® / SmartFit® Dual Shade (With Mounting Plate)

Cell Size	3/8" S		3/4"S & 1/2"D & 9/16"S		
Shade Width	$X \leq 40$	$40'' < X \leq 50''$	$8.5'' < X \leq 40''$	$40'' < X \leq 52''$	$52'' < X \leq 72''$
# of L brackets	4	5	4	5	6
1 shim per bracket = 3/8" projection from the wall	4 shims	5 shims	4 shims	5 shims	6 shims
2 shims per bracket = 11/16" projection from the wall	8 shims	10 shims	8 shims	10 shims	12 shims

For SmartFit® / SmartFit® Dual Shade (Without Mounting Plate)

Cell Size	3/8" S	3/4"S & 1/2"D & 9/16"S			
Shade Width	All width	$8.5'' < X \leq 40''$	$40'' < X \leq 52''$	$52'' < X \leq 65''$	$65'' < X \leq 72''$
# of L brackets	4	4	5	6	7
1 shim per bracket = 3/8" projection from the wall	4 shims	4 shims	5 shims	6 shims	7 shims
2 shims per bracket = 11/16" projection from the wall	8 shims	8 shims	10 shims	12 shims	14 shims

Mounting Brackets / Shim Quantity

For Motorized/ Motorized TD / AutoWand™ Motorized Bottom Up

Shade Width	$X \leq 56''$	$56'' < X \leq 105''$	$105'' < X \leq 120''$
# of mounting brackets	2	3	4
1 shim per bracket = 3/8" projection from the wall	2 shims	3 shims	4 shims
2 shims per bracket = 11/16" projection from the wall	4 shims	6 shims	8 shims

For Norman® Smart Motorized Bottom UP/ Motorized TDBU/ Motorized Day & Night

Shade Width	$X \leq 64''$	$64'' < X \leq 112''$	$X > 112''$
# of mounting brackets	2	3	4
1 shim per bracket = 3/8" projection from the wall	2 shims	3 shims	4 shims
2 shims per bracket = 11/16" projection from the wall	4 shims	6 shims	8 shims

For Vertical Honeycomb Shade

Shade Width	$X \leq 39''$	$39'' < X \leq 66''$	$66'' < X \leq 93''$	$93'' < X \leq 120''$	$X > 120''$
# of mounting brackets	2	3	4	5	6
1 shim per bracket = 3/8" projection from the wall	Installation bracket qty + floor bracket	Installation bracket qty + floor bracket	Installation bracket qty + floor bracket	Installation bracket qty + floor bracket	Installation bracket qty + floor bracket
2 shims per bracket = 11/16" projection from the wall	2*(Installation bracket qty + floor bracket)	2*(Installation bracket qty + floor bracket)	2*(Installation bracket qty + floor bracket)	2*(Installation bracket qty + floor bracket)	2*(Installation bracket qty + floor bracket)

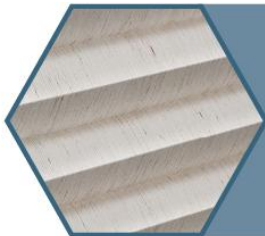
*floor bracket qty

	Right Stack	Left Stack	Travelling Center Stack	Split Stack	Vertical Day & Night
Qty	1	1	0	2	2

For Norman® Smart Motorized Skylights

Shade Width	$X \leq 39''$	$39'' < X \leq 48''$
# of mounting brackets (Fixed Rail with Motor)	2	3
# of mounting brackets (Fixed Rail)	2	3

Fabric Expectations & Product Care



Honeycomb Shades

Fabric Expectations & Product Care

Honeycomb Shades come in a variety of fabrics, cell sizes and lift systems. Our honeycombs deliver on a number of desired effects of fine window treatments:

- Excellent insulating properties
- UV protection
- Softened views while enjoying privacy

But as with all fine window treatments there are certain inherent characteristics of our honeycombs that can be found in any fine textile shade in the market. Since we always strive to provide the highest quality window treatment solutions, we are communicating certain industry-wide fabric characteristics of our honeycomb shades.

ROOM DARKENING VERSUS BLACKOUT QUALITY

One of the appealing characteristics of a honeycomb shade is your ability to select from different opacity levels ranging from sheer to light filtering to room darkening to satisfy your desire for light control, privacy or both.

While our room darkening fabrics provide more privacy and light control qualities than our sheer and light filtering choices, they are not a total blackout solution.

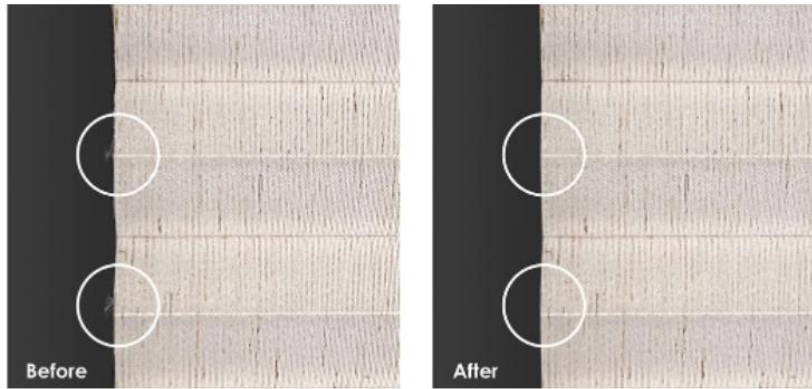
Designer Ashton Collection

The Ashton collection is produced using a specialized process in which colored yarns are bonded to the base fabric rather than traditionally woven or printed. This unique technique creates a rich, tactile finish that gives each fabric its distinctive look. Because of the nature of this process, small differences in texture or appearance may occur between batches. These natural variations reflect the fabric's craftsmanship and are not considered defects.

Fabric Expectations & Product Care

FABRIC DISCLAIMERS: WOVEN & DESIGNER SHADES

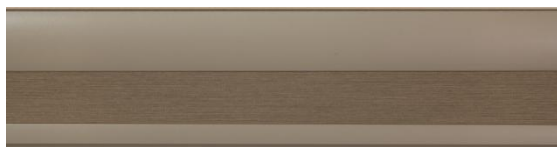
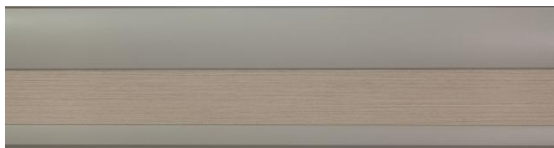
Our Windsong, Breeze and Ashton fabrics utilize delicate fibers and a unique weaving process that give the fabric a soft and high-end look. The repeated rubbing of the fabric edge where it comes into contact with the edge of the window may cause the fabric to fray slightly. To remedy this, use a pair of fabric scissors to gently trim any fraying.



COLOR VARIATION

We offer a wide range of whites and neutrals in both warm and cool tones. Please note that color may change when the fabric is stacked, as layered material can enhance subtle differences. To ensure the best selection, we recommend reviewing fabric samples—particularly lighter colors—under different lighting conditions and alongside other fabrics of similar tones to meet your expectations accurately.

Fabric Stacked



Fabric not Stacked



Fabric Expectations & Product Care

CLEANING HONEYCOMB SHADES

Routine cleaning will help maintain the beauty of your shade. Here are the proper methods for cleaning honeycomb shades:

Light dusting:

- Use a soft brush, feather duster or a compressed air/hair dryer at a cool setting
- Vacuum with a low suction using a hand-held vacuum or a brush attachment

Spot Cleaning:

- Dampen a clean cloth or sponge with warm water and blot gently to avoid creasing the shade (do not rub!)
- Add a mild detergent solution, if needed
- Allow shade to dry in a fully lowered position
- Headrails should never be immersed in liquid
- Do not use bleach or cleaning products that contain bleach.

Ultrasonic Cleaning:

- Honeycomb shades may be professionally ultrasonic cleaned

